

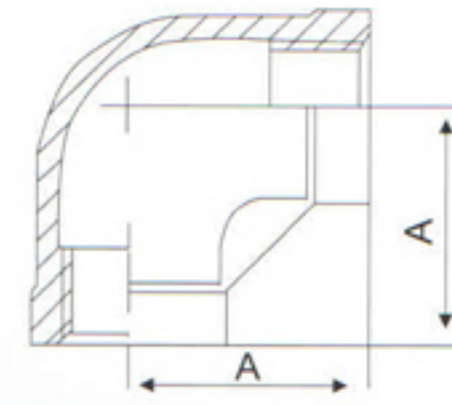
# STAINLESS STEEL PIPE FITTING/ FLANGE/VALVE





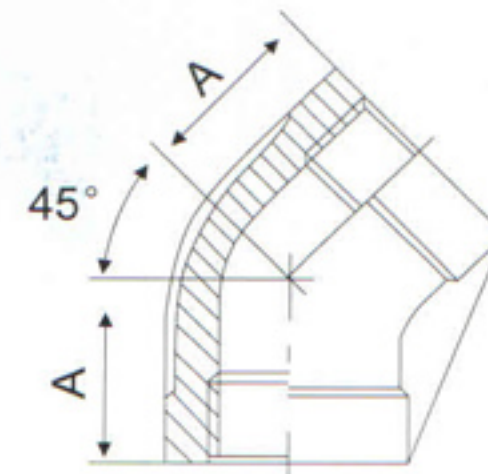
## SS PIPE FITTING/FLANGE/VALVE

90° Elbow(90LB)  
90度弯头



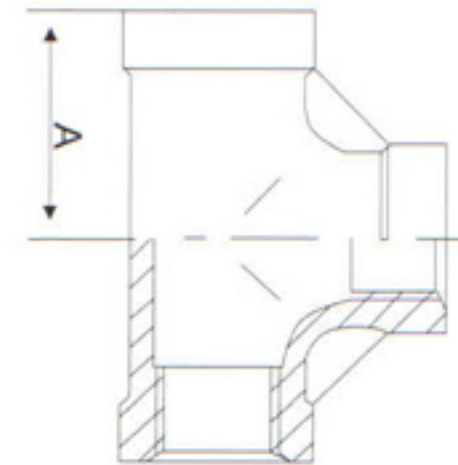
SIZE ITEM	1/8"	1/4"	3/8"	1/2"	3/4"	1"	1-1/4"	1-1/2"	2"	2-1/2"	3"	4"
A	15.50	17.00	20.00	24.50	28.00	32.00	38.50	42.50	52.00	62.50	72.00	88.00

45° Elbow(45LB)  
45度弯头



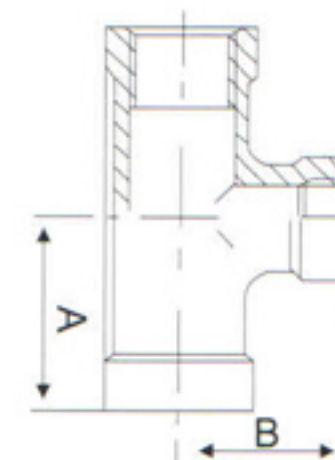
SIZE ITEM	1/8"	1/4"	3/8"	1/2"	3/4"	1"	1-1/4"	1-1/2"	2"	2-1/2"	3"	4"
A	15.00	16.00	18.00	20.00	25.00	27.50	32.00	33.00	40.00	43.00	50.00	60.00

Tee(TB)  
三通



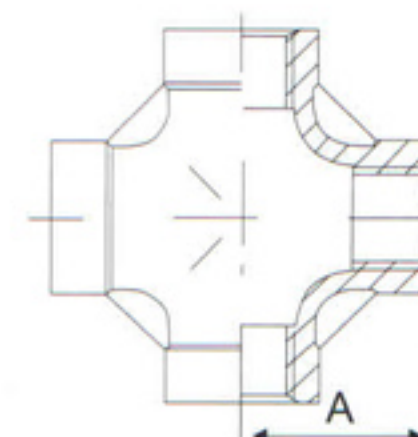
SIZE ITEM	1/8"	1/4"	3/8"	1/2"	3/4"	1"	1-1/4"	1-1/2"	2"	2-1/2"	3"	4"
A	14.00	17.00	19.00	24.50	28.00	32.00	38.50	42.50	52.00	62.50	72.00	88.00

Reducing Tee(RTB)  
异径三通



SIZE ITEM	1/8"	1/4"	3/8"	1/2"	3/4"	1"	1-1/4"	1-1/2"	2"	2-1/2"	3"	4"
A		15.30	17.30	21.80	24.50	29.00	34.30	39.30	46.00	53.50	65.80	74.50
B		15.80	18.80	21.60	28.00	31.00	36.30	41.80	48.50	61.00	68.80	85.50

Cross (+B)  
四通

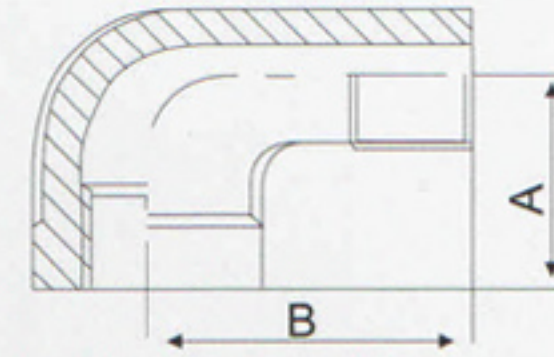


SIZE ITEM	1/8"	1/4"	3/8"	1/2"	3/4"	1"	1-1/4"	1-1/2"	2"	2-1/2"	3"	4"
A	14.00	17.00	19.00	24.50	28.00	32.00	38.50	42.50	52.00	62.50	72.00	88.00



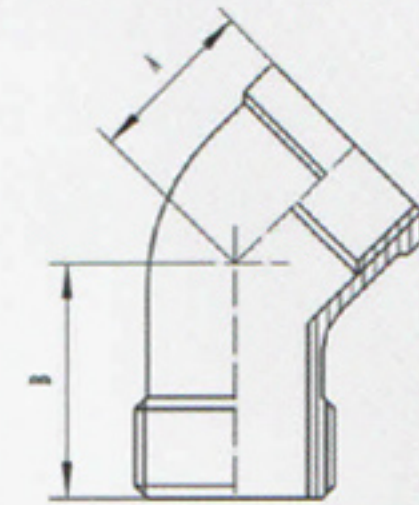
## SS PIPE FITTING/FLANGE/VALVE

### Street Elbow(SLB) 内外牙弯头



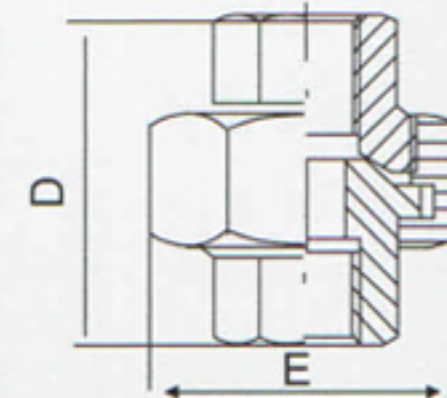
SIZE ITEM	1/8"	1/4"	3/8"	1/2"	3/4"	1"	1-1/4"	1-1/2"	2"	2-1/2"	3"	4"
A	17.00	19.00	23.00	27.00	32.00	38.00	45.00	48.00	57.00	69.00	78.00	97.00
B	26.00	27.00	29.00	35.00	40.00	46.00	54.00	57.00	70.00	83.00	94.00	115.00

### 45° Street Elbow (SLB 45) 45度内外牙弯头



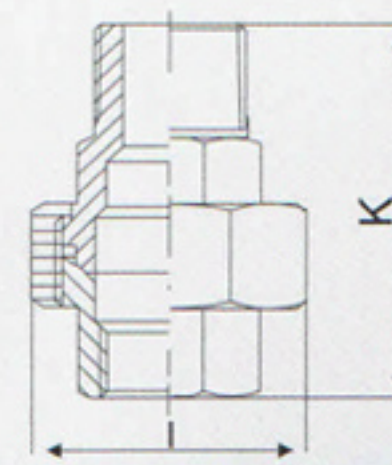
SIZE ITEM	1/8"	1/4"	3/8"	1/2"	3/4"	1"	1-1/4"	1-1/2"	2"	2-1/2"	3"	4"
A	15.00	17.00	19.00	20.00	24.00	29.00	33.00	39.00	40.00	46.00	48.00	52.00
B	21.00	28.00	29.00	30.00	33.00	37.00	40.00	40.00	45.00	75.00	88.00	108.00

### Union F/F(CU FF) 内牙由任



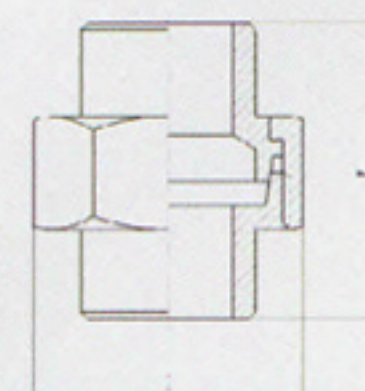
SIZE ITEM	1/8"	1/4"	3/8"	1/2"	3/4"	1"	1-1/4"	1-1/2"	2"	2-1/2"	3"	4"
E	27.00	33.00	36.50	39.00	48.60	55.20	67.30	72.50	89.50	110.50	123.00	151.00
D	25.00	30.50	32.50	36.80	40.00	46.20	54.00	55.30	64.00	79.00	86.00	88.00

### Union M/F(CU MF) 内外牙由任



SIZE ITEM	1/8"	1/4"	3/8"	1/2"	3/4"	1"	1-1/4"	1-1/2"	2"	2-1/2"	3"	4"
I	27.00	33.00	36.50	39.00	48.60	55.20	67.30	72.50	89.50	110.50	123.00	151.00
K	31.00	41.50	45.50	51.80	58.00	65.50	70.50	77.50	91.00	97.00	109.00	111.00

### Union BW/BW(CU BW) 对焊由任

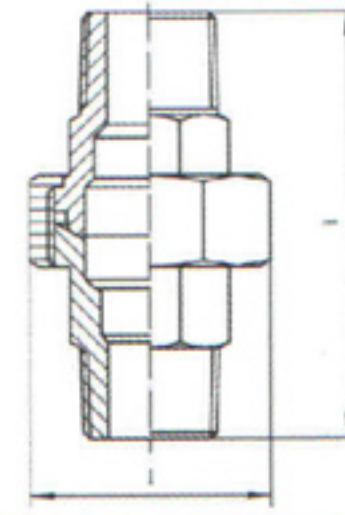


SIZE ITEM	1/8"	1/4"	3/8"	1/2"	3/4"	1"	1-1/4"	1-1/2"	2"	2-1/2"	3"	4"
K	29.00	31.50	38.00	40.50	46.00	49.00	54.00	56.00	64.00	70.00	79.00	88.00
I	27.00	33.00	36.50	39.00	48.60	55.20	67.30	72.50	89.50	110.50	123.00	151.00



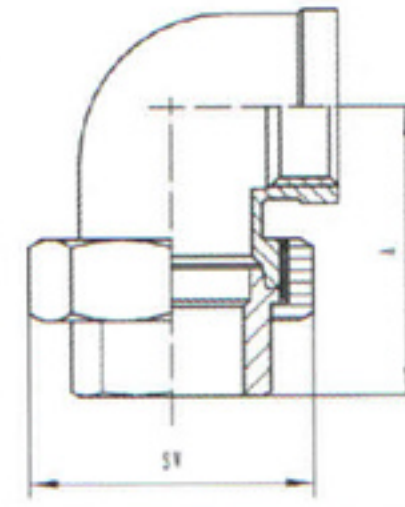
## SS PIPE FITTING/FLANGE/VALVE

Union M/M(CU MM)  
外牙由任



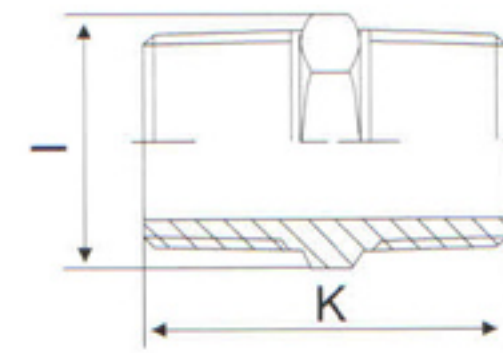
SIZE ITEM	1/8"	1/4"	3/8"	1/2"	3/4"	1"	1-1/4"	1-1/2"	2"	2-1/2"	3"	4"
K	43.00	51.00	53.00	63.50	71.00	82.50	87.00	96.00	112.00	112.50	120.00	132.50
I	27.00	33.00	36.50	39.00	48.60	55.20	67.30	72.50	89.50	110.50	123.00	151.00

Elbow Union F/F  
(CULB FF)  
弯头由任



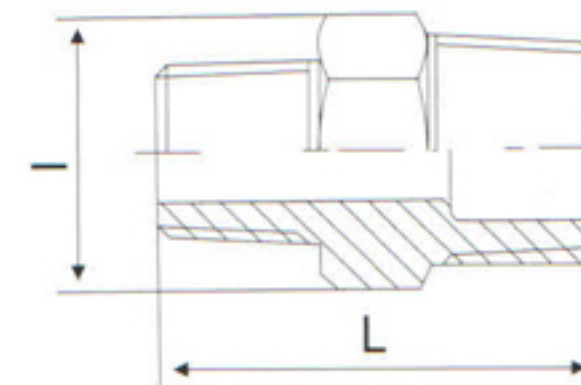
SIZE ITEM	1/8"	1/4"	3/8"	1/2"	3/4"	1"	1-1/4"	1-1/2"	2"	2-1/2"	3"	4"
A			40.50	46.50	51.50	61.00	68.00	74.50	86.00			
SW			36.50	39.00	48.60	55.20	67.30	72.50	89.50			

Hexagon Nipple(HN)  
六角外牙接头



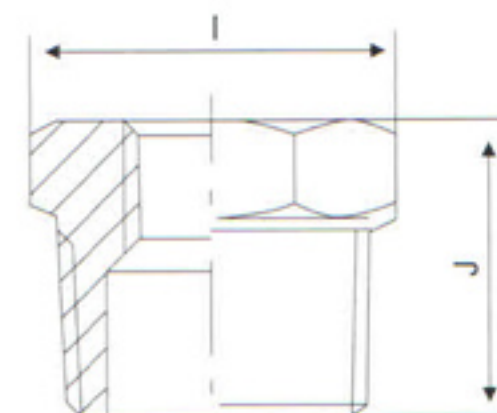
SIZE ITEM	1/8"	1/4"	3/8"	1/2"	3/4"	1"	1-1/4"	1-1/2"	2"	2-1/2"	3"	4"
K	22.00	25.00	27.00	32.50	36.00	41.00	46.00	49.00	57.00	65.00	70.00	77.00
I	12.60	16.50	20.40	25.40	31.60	37.00	46.30	53.00	66.40	80.00	92.70	120.00

Reducing Hexagon  
Nipple(RHN)  
异径六角外牙接头



SIZE ITEM	1/8"	1/4"	3/8"	1/2"	3/4"	1"	1-1/4"	1-1/2"	2"	2-1/2"	3"	4"
I		16.50	20.40	25.40	31.60	37.00	46.30	53.00	66.40	80.00	92.70	120.00
L		23.70	26.00	30.00	34.50	39.00	44.30	48.00	53.50	61.50	68.00	74.00

Hexagon Bushing(HB)  
六角卜申



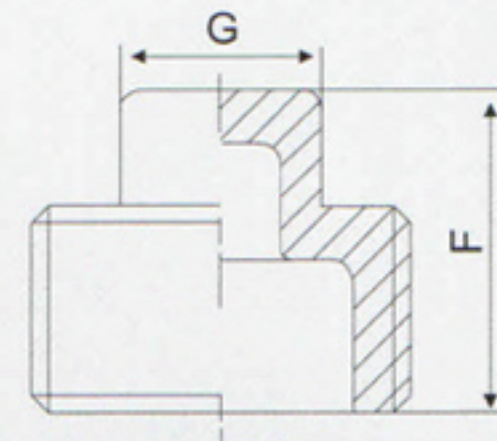
SIZE ITEM	1/8"	1/4"	3/8"	1/2"	3/4"	1"	1-1/4"	1-1/2"	2"	2-1/2"	3"	4"
I		16.40	20.80	25.40	32.90	36.80	47.60	53.00	66.00	80.10	94.10	120.00
J		13.00	16.80	19.00	21.00	23.30	27.00	28.00	32.00	37.00	40.00	43.00



## SS PIPE FITTING/FLANGE/VALVE

### Square Plug(SQ)

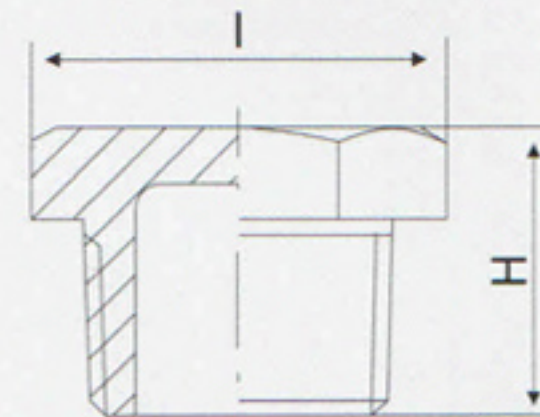
四角塞头



SIZE ITEM	1/8"	1/4"	3/8"	1/2"	3/4"	1"	1-1/4"	1-1/2"	2"	2-1/2"	3"	4"
F	11.50	15.00	15.50	19.00	21.50	25.00	29.50	31.00	37.00	41.00	44.00	48.00
G	7.00	8.50	10.00	11.00	15.00	19.00	22.00	22.00	26.70	32.00	38.00	42.00

### Hexagon Plug(HP)

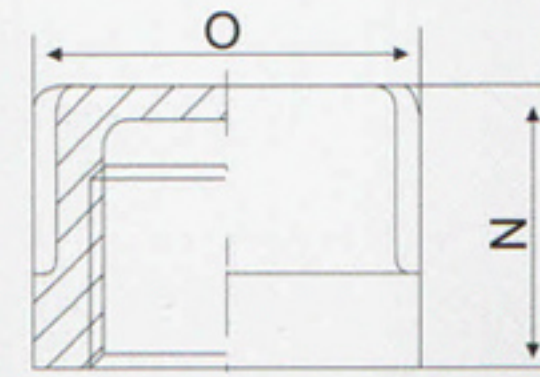
六角塞头



SIZE ITEM	1/8"	1/4"	3/8"	1/2"	3/4"	1"	1-1/4"	1-1/2"	2"	2-1/2"	3"	4"
I	12.70	16.50	20.40	25.40	31.60	37.00	46.50	53.00	66.00	80.10	94.10	120.00
H	13.00	14.00	16.00	18.50	20.50	23.50	26.00	27.00	31.50	36.00	39.00	43.00

### Cap (CB)

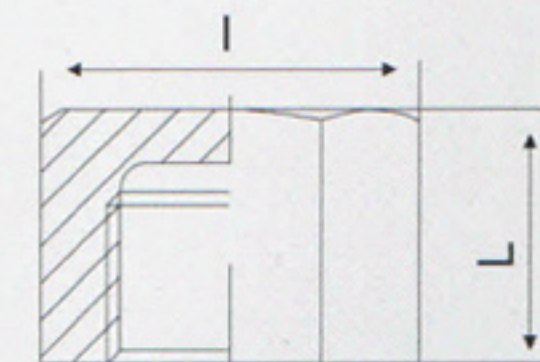
圆管帽



SIZE ITEM	1/8"	1/4"	3/8"	1/2"	3/4"	1"	1-1/4"	1-1/2"	2"	2-1/2"	3"	4"
O	13.00	16.50	20.00	24.00	30.50	38.00	47.00	53.00	66.00	82.00	94.50	120.00
N	12.00	14.00	15.00	19.00	20.00	24.00	26.00	27.00	29.00	30.00	34.00	38.00

### Hexagon Cap(HCB)

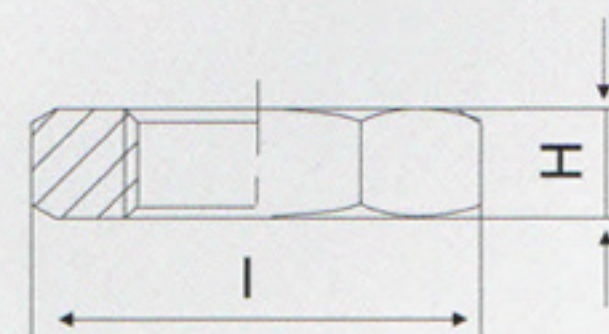
六角管帽



SIZE ITEM	1/8"	1/4"	3/8"	1/2"	3/4"	1"	1-1/4"	1-1/2"	2"	2-1/2"	3"	4"
I	15.00	18.50	22.50	27.70	34.10	39.50	49.20	55.70	68.70	83.10	96.70	124.20
L	12.00	14.00	15.00	19.00	20.00	24.00	26.00	27.00	29.00	30.00	34.00	38.00

### Hexagon Nut(LN)

六角螺母

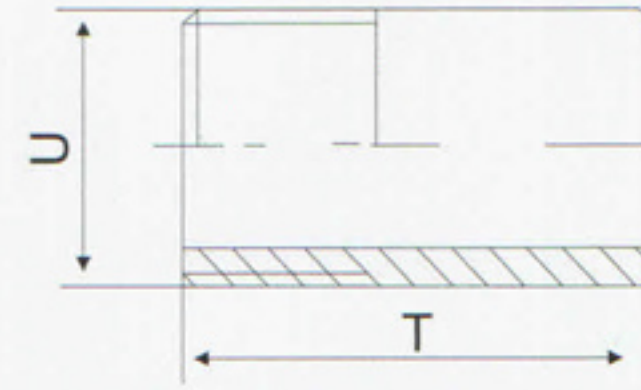


SIZE ITEM	1/8"	1/4"	3/8"	1/2"	3/4"	1"	1-1/4"	1-1/2"	2"	2-1/2"	3"	4"
I	19.60	23.10	27.70	34.60	41.60	49.70	60.00	67.00	80.80	101.60	115.50	149.00
H	6.00	6.00	7.00	8.00	9.00	10.00	11.00	12.00	13.00	16.00	19.00	22.00



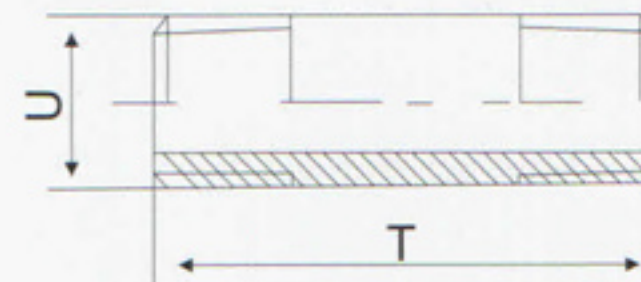
## SS PIPE FITTING/FLANGE/VALVE

### Welding Nipple(WN) 焊接圆接头



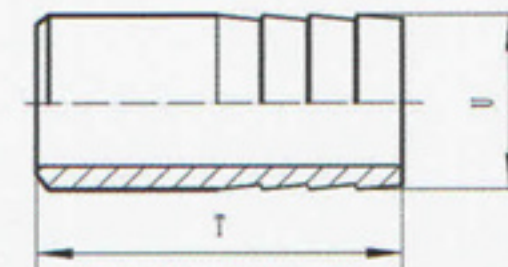
SIZE ITEM	1/8"	1/4"	3/8"	1/2"	3/4"	1"	1-1/4"	1-1/2"	2"	2-1/2"	3"	4"
U	10.00	13.50	17.00	21.30	26.50	33.40	42.00	48.30	60.00	76.00	88.50	114.00
T	30.00	30.00	30.00	35.00	40.00	40.00	50.00	50.00	50.00	60.00	70.00	80.00

### Barrel Nipple(BN) 圆管接头



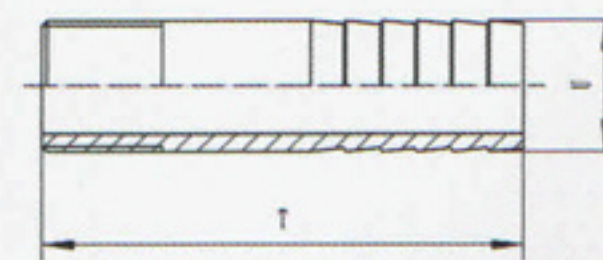
SIZE ITEM	1/8"	1/4"	3/8"	1/2"	3/4"	1"	1-1/4"	1-1/2"	2"	2-1/2"	3"	4"
U	10.00	13.50	17.00	21.30	26.50	33.40	42.00	48.30	60.00	76.00	88.50	114.00
T	40.00	40.00	40.00	60.00	60.00	60.00	80.00	80.00	100.00	100.00	120.00	120.00

### Hose Nipple Butt-welding (HWN) 对焊水管接头



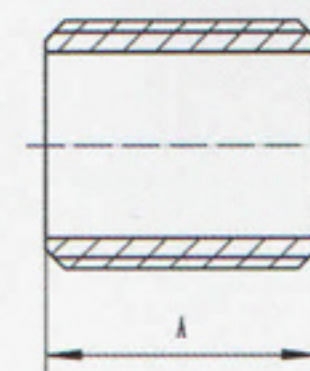
SIZE ITEM	1/8"	1/4"	3/8"	1/2"	3/4"	1"	1-1/4"	1-1/2"	2"	2-1/2"	3"	4"
U		13.00	17.00	21.00	26.30	33.20	42.00	48.00	60.00	75.50	88.20	
T		48.00	53.00	65.00	70.00	75.00	80.00	95.00	105.00	110.00	120.00	

### Hose Nipple Threaded (HBN) 螺纹水管接头



SIZE ITEM	1/8"	1/4"	3/8"	1/2"	3/4"	1"	1-1/4"	1-1/2"	2"	2-1/2"	3"	4"
U		13.00	17.00	21.00	26.30	33.20	42.00	48.00	60.00	75.50	88.20	
T		70.00	70.00	70.00	70.00	70.00	70.00	100.00	100.00	120.00	120.00	

### Parallel Nipple(PN) 平行全外牙接头



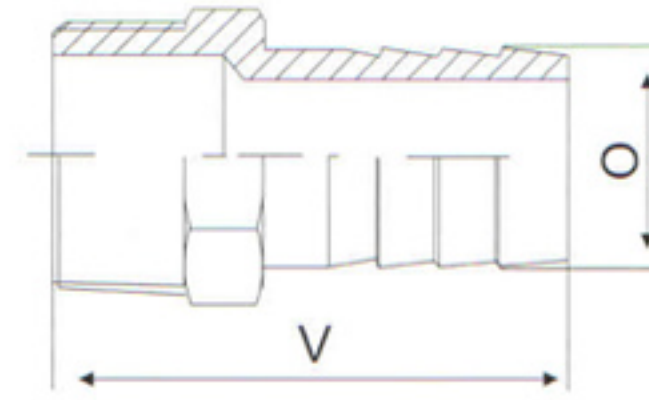
SIZE ITEM	1/8"	1/4"	3/8"	1/2"	3/4"	1"	1-1/4"	1-1/2"	2"	2-1/2"	3"	4"
A	16.00	18.00	22.00	25.00	30.00	35.00	38.00	38.00	45.00	55.00	60.00	70.00



## SS PIPE FITTING/FLANGE/VALVE

### Hose Nipple(HON)

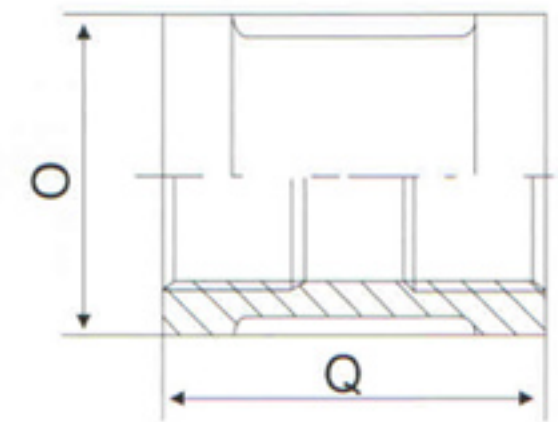
水管接头



SIZE ITEM	1/8"	1/4"	3/8"	1/2"	3/4"	1"	1-1/4"	1-1/2"	2"	2-1/2"	3"	4"
O	7.00	9.00	11.00	15.00	20.00	26.00	34.00	40.50	52.50	63.50	76.10	100.00
V	34.00	41.00	45.00	49.00	56.50	61.50	70.00	75.00	85.50	98.00	106.00	113.00

### Socket Banded(SB)

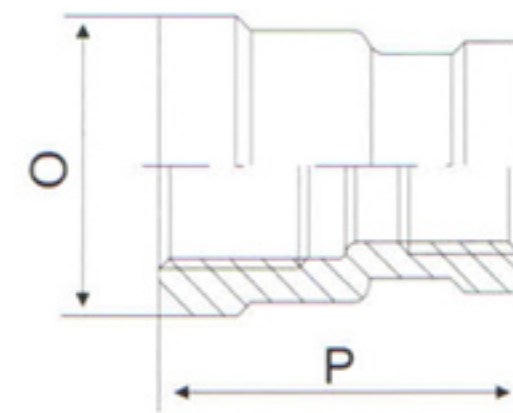
有边接头



SIZE ITEM	1/8"	1/4"	3/8"	1/2"	3/4"	1"	1-1/4"	1-1/2"	2"	2-1/2"	3"	4"
O	13.00	16.50	20.00	25.50	32.40	39.00	47.50	54.00	66.50	85.00	98.00	125.0
Q	17.00	24.00	25.00	32.00	34.00	41.00	45.00	45.00	51.00	62.00	64.00	75.00

### Reducing Socket Banded(RSB)

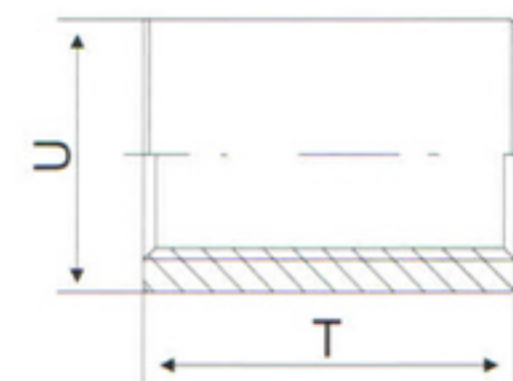
异径有边接头



SIZE ITEM	1/8"	1/4"	3/8"	1/2"	3/4"	1"	1-1/4"	1-1/2"	2"	2-1/2"	3"	4"
O		16.50	20.00	24.00	30.50	38.00	47.00	53.00	66.00	82.00	94.50	120.00
P		20.00	25.30	28.00	34.00	38.00	40.00	42.00	44.00	53.00	55.00	62.00

### Socket O.D. Machined (SPE)

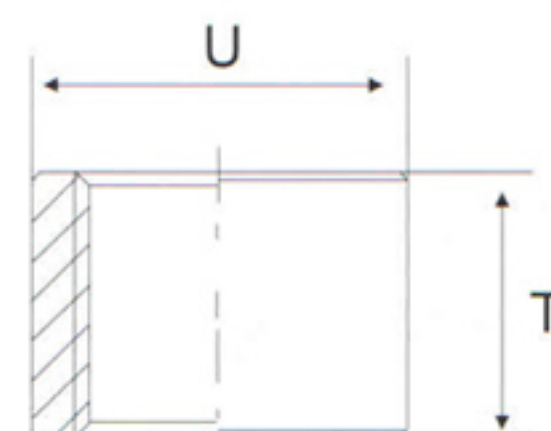
光面接头



SIZE ITEM	1/8"	1/4"	3/8"	1/2"	3/4"	1"	1-1/4"	1-1/2"	2"	2-1/2"	3"	4"
U	13.00	17.00	20.00	24.30	30.50	37.50	46.00	52.00	64.50	81.20	94.00	120.00
T	17.00	23.00	24.00	31.00	33.00	40.00	45.00	45.00	49.00	61.00	64.00	75.00

### 1/2 Socket O.D. Machined(1/2 SPE)

半截光面接头



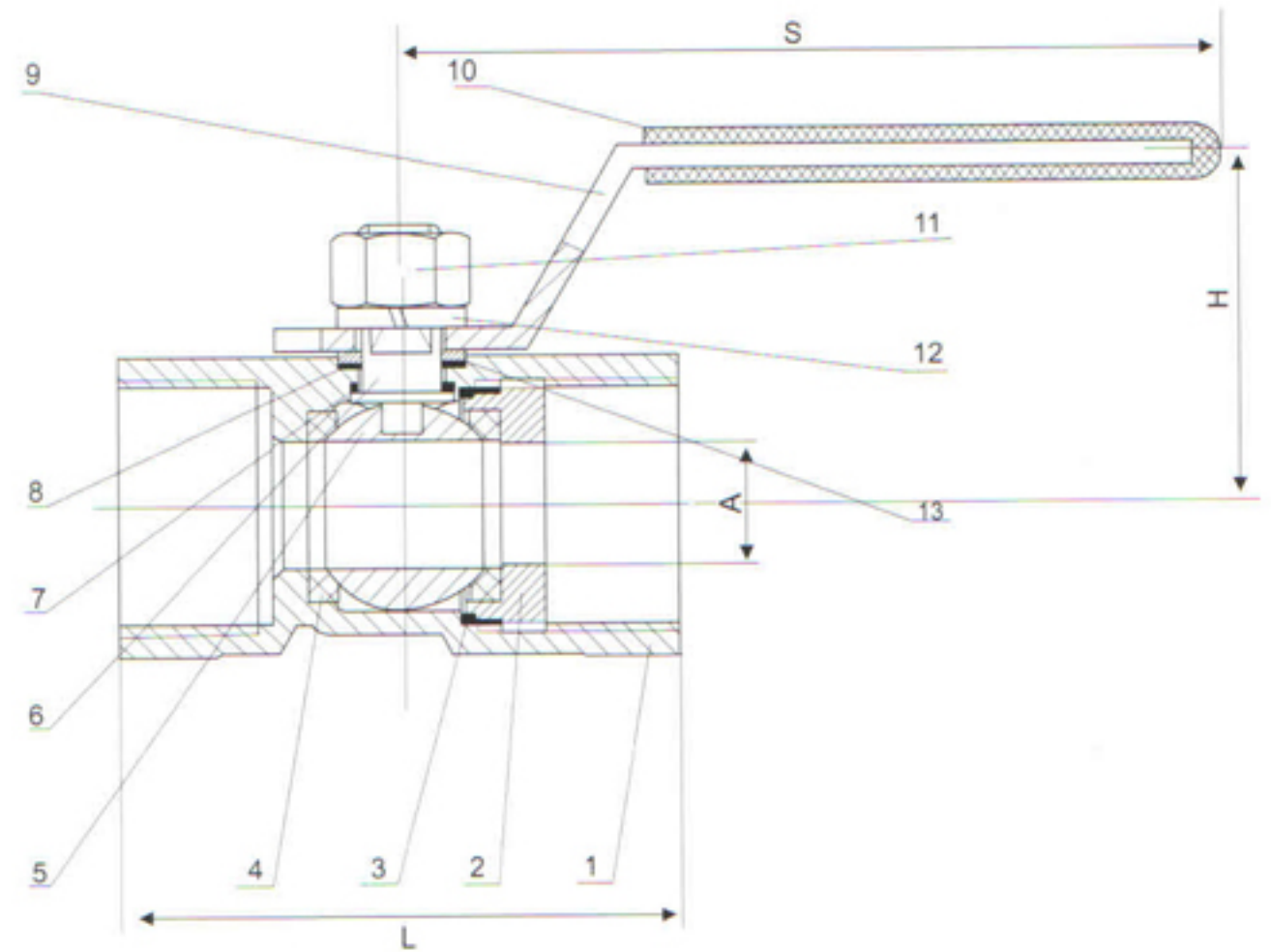
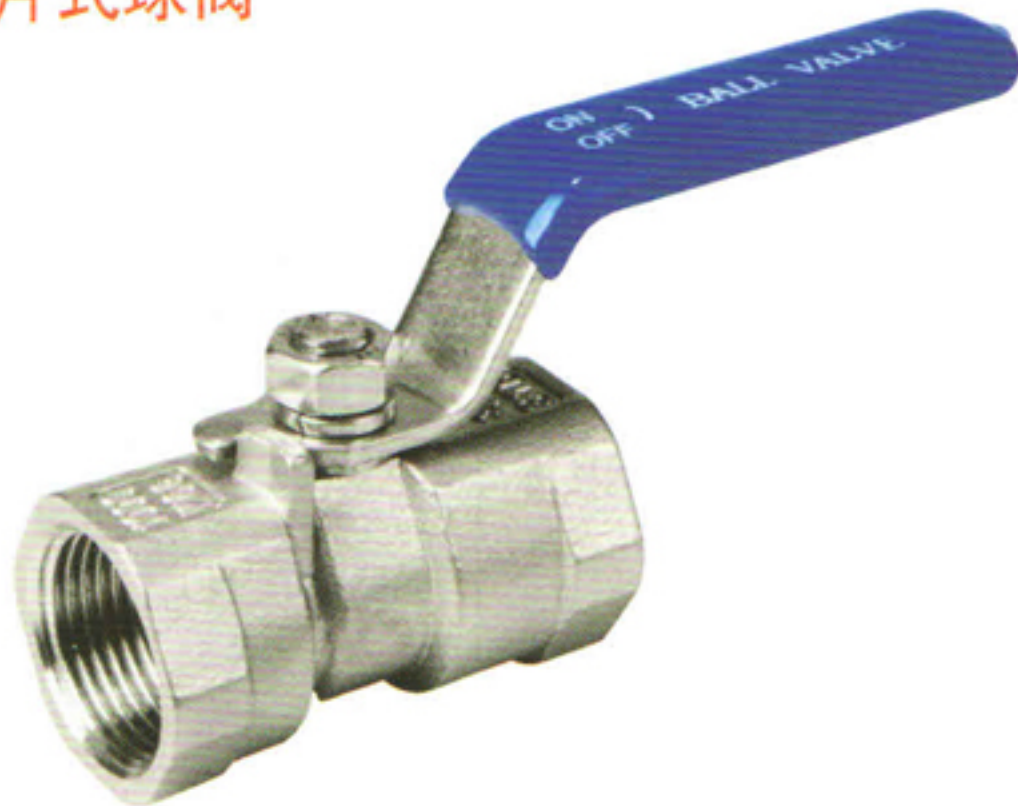
SIZE ITEM	1/8"	1/4"	3/8"	1/2"	3/4"	1"	1-1/4"	1-1/2"	2"	2-1/2"	3"	4"
U	13.00	17.00	20.00	24.30	30.50	37.50	46.00	52.00	64.50	81.20	94.00	120.00
T	7.00	9.50	10.00	14.00	15.00	18.00	20.50	20.50	23.00	28.50	30.50	36.00



## SS PIPE FITTING/FLANGE/VALVE

### 1PC Ball Valve (1000 PSI)

一片式球阀



#### 材质 MATERIALS

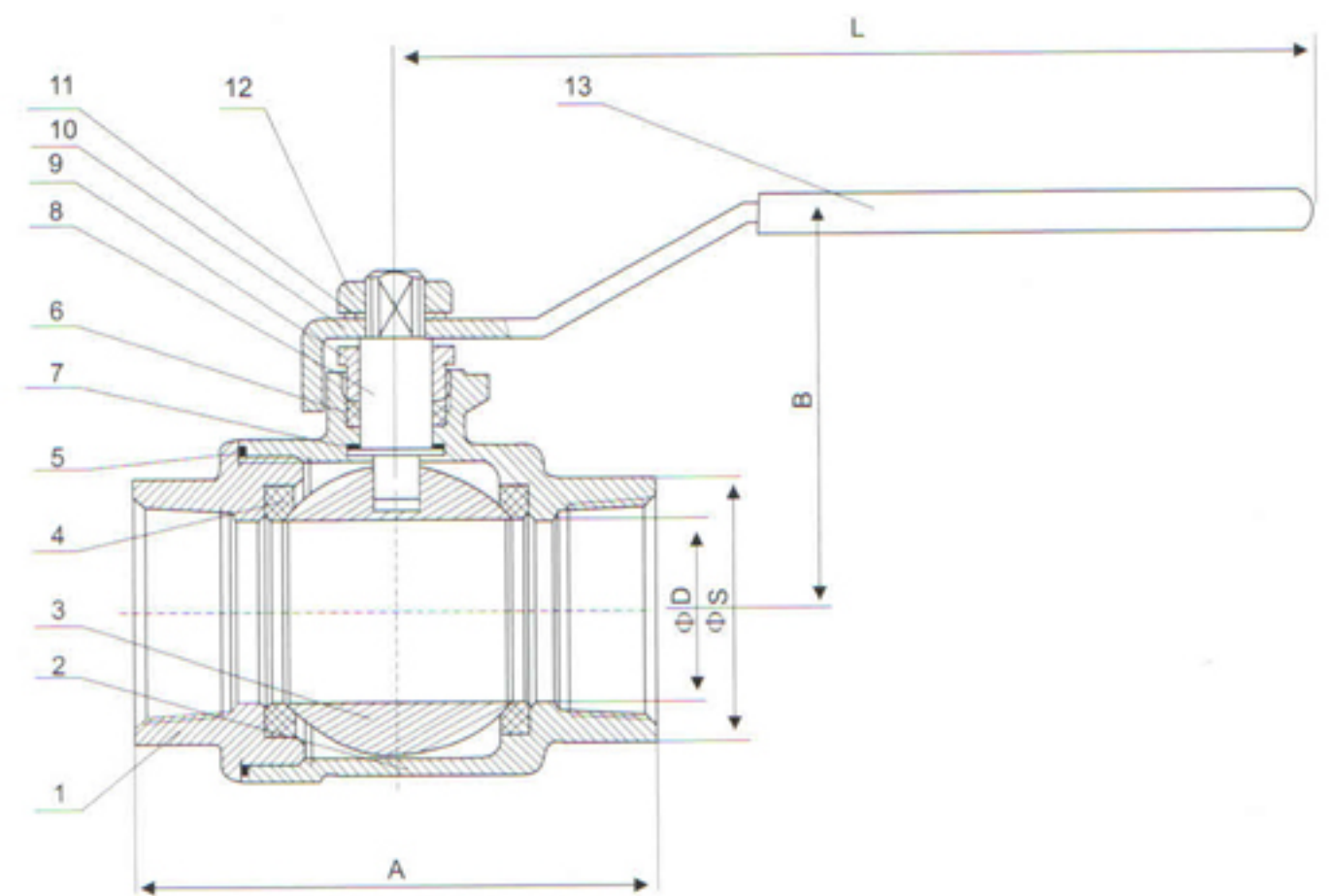
序号NO.	名称 PARTS NAME	数量Q'TY	材料 MATERIAL
1	阀体BODY	1	CF8/CF8M
2	侧塞BODY INSERT	1	CF8/CF8M
3	大垫片JOINT GASKET	1	PTFE
4	球垫SEAT	2	PTFE
5	球BALL	1	CF8/CF8M
6	阀杆STEM	1	SUS 316
7	小垫片THRUST WASHER	1	PTFE
8	中垫片STEM PACKING	1	PTFE
9	手柄HANDLE	1	SUS 304
10	手柄套PLASTIC SLEEVE	1	PVC
11	六角螺母STEM NUT	1	SUS 304
12	弹簧垫圈STEM WASHER	1	SUS 304
13	平垫圈GLAND NUT	1	SUS 304

#### 尺寸 DIMENSIONS

SIZE ITEM	1/4"	3/8"	1/2"	3/4"	1"	1-1/4"	1-1/2"	2"
A	4.6	7	9	12.5	16	20	24.5	32
L	40	45	56.5	59	70	77.1	82	99
H	26	31	35	38	43	48	62	68
S	59	79	86	86	99	99	124	124

### 2PC Ball Valve (1000 PSI)

二片式球阀



#### 材质 MATERIALS

序号NO.	名称 PARTS NAME	数量Q'TY	材料 MATERIAL
1	阀盖CAP	1	CF8/CF8M
2	阀体BODY	1	CF8/CF8M
3	球BALL	1	CF8/CF8M
4	阀座BALL SEAT	2	PTFE
5	大垫片JOINT GASKET	1	PTFE
6	密封圈STEM PACKING	1	PTFE
7	小垫片THRUST WASHER	1	PTFE
8	阀杆STEM	1	304
9	锁紧螺母GLAND NUT	1	304
10	手柄HANDLE	1	304
11	弹簧垫圈SPRING WASHER	1	304
12	小六角螺母STEM NUT	1	304
13	手柄套PLASTIC SLEEVE	1	PVC

#### 尺寸 DIMENSIONS

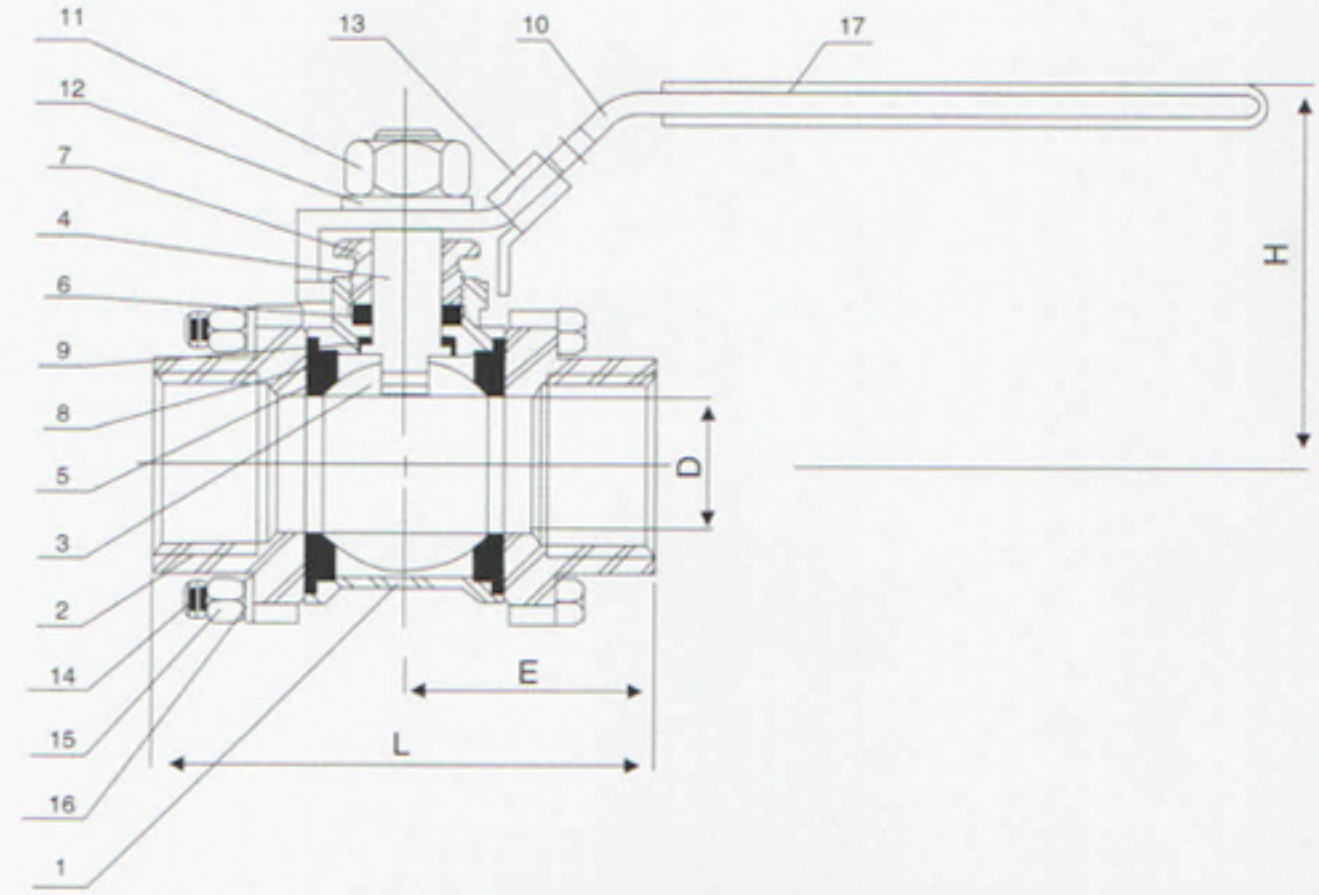
SIZE ITEM	1/4"	3/8"	1/2"	3/4"	1"	1-1/4"	1-1/2"	2"
A	55	55	63.5	68	77.5	90	107	123
B	40	40	45	48	56	60	75	87
D	11.6	12.7	15	20	25	32	38	50
S	20	20	25	31.5	39	48	55	67
L	97	97	97	115	144	144	187	187



## SS PIPE FITTING/FLANGE/VALVE

### 3PC Ball Valve (1000 PSI)

#### 三片式球阀



#### 材质 MATERIALS

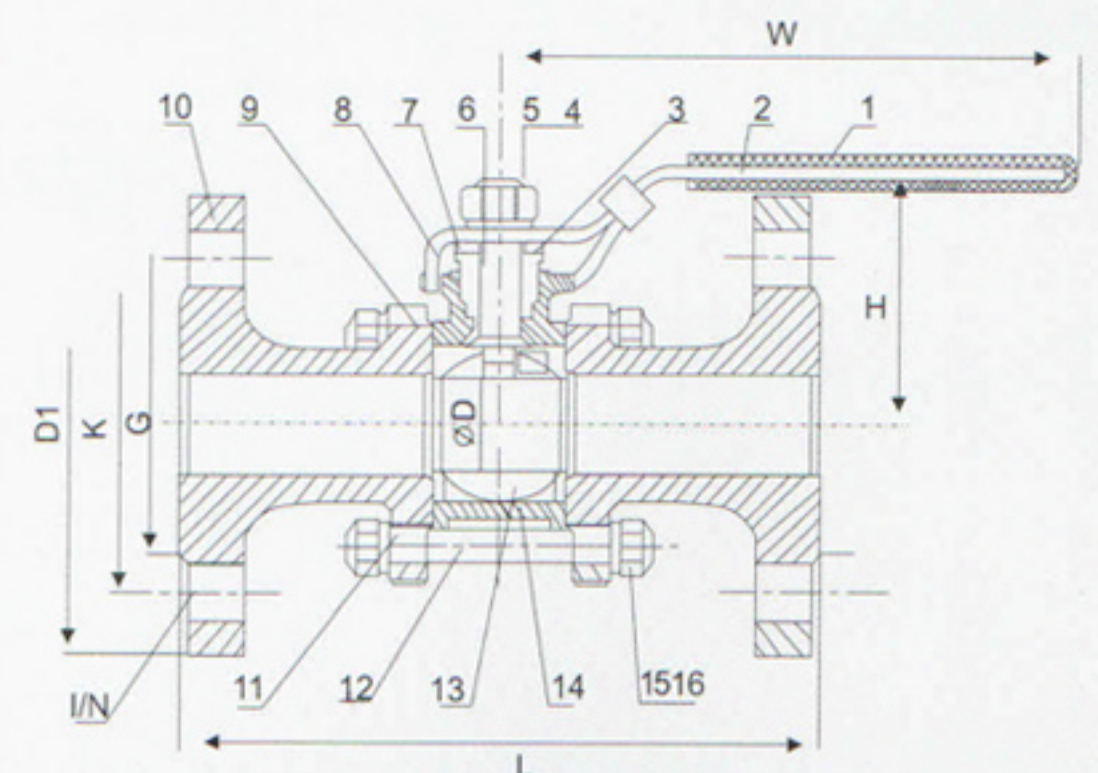
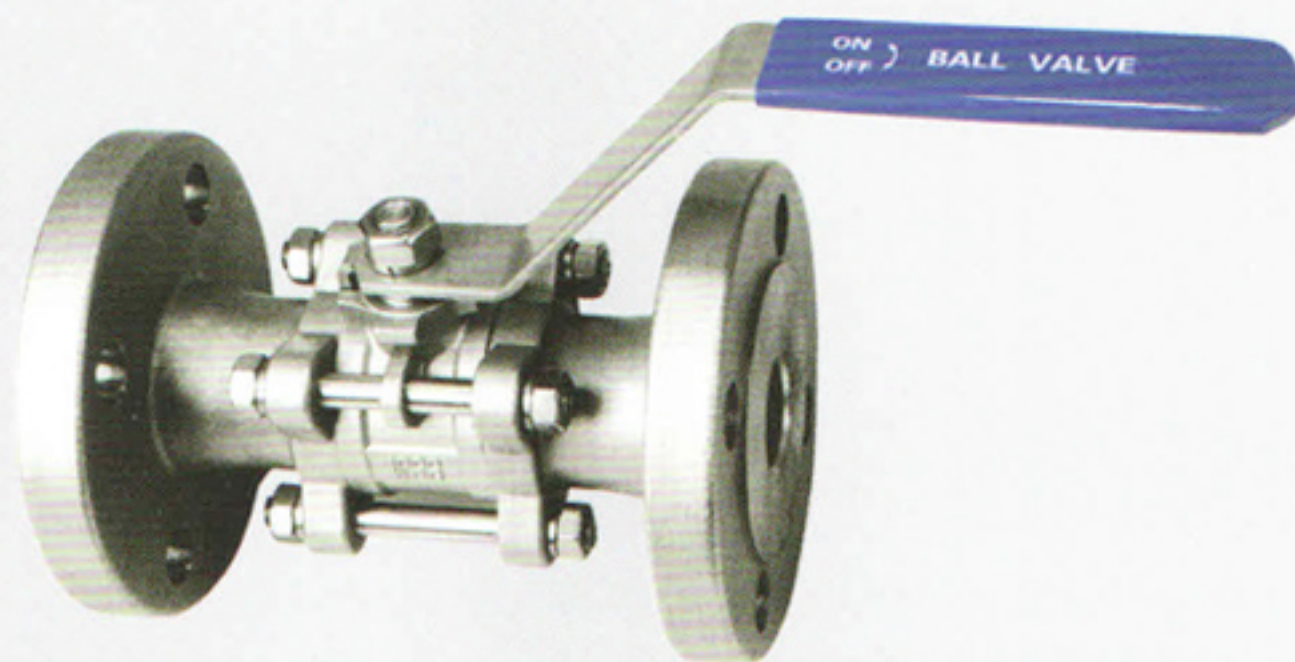
序号NO.	名称 PARTS NAME	数量Q'TY	材料 MATERIAL
1	本体BODY	1	CF8/CF8M
2	阀盖CAP	2	CF8/CF8M
3	球BALL	1	CF8/CF8M
4	阀杆STEM	1	316
5	球垫BALL SEATS	2	PTFE
6	阀杆密封圈STEM PACKINGS	1	PTFE
7	锁母GLAND	1	304
8	大垫片JOINT GASKET	2	PTFE
9	小垫片THRUST WASHER	1	PTFE
10	手柄HANDLE	1	304
11	螺母HAND NUT	1	304
12	弹簧垫圈STEM WASHER	1	304
13	锁片LOCKING DEVICE	1	304
14	螺栓BOLTS	4	304
15	螺母BOLT NUTS	4	304
16	弹簧垫圈 BOLT WASHERS	4	304
17	手柄套PLASTIC SLEEVE	1	PVC

#### 尺寸 DIMENSIONS

SIZE	D	H	E	L
1/4"	11.6	60.5	32	65
3/8"	12.7	60.5	32	65
1/2"	15.0	60.5	37	75
3/4"	20.0	79.0	42	85
1"	25.0	86.0	47	95
1-1/4"	32.0	105	57	115
1-1/2"	38.0	119	62	125
2"	50.0	133	75	150
2-1/2"	65.0	163	87	175
3"	80.0	189	108	216
4"	100	228	130	260

### 3PC Flanged Ball Valve

#### 三片式法兰球阀



#### 材质 MATERIALS

ITEM	DESIGNATION	MATERIAL
1	PLASTIC COVER	PVC
2	HANDLE	304
3	GLAND NUT	304
4	STEM NUT	304
5	THRUST WASHER	304
6	STEM	304
7	STEM PACKING	PTFE
8	SEAL	PTFE
9	CAP	CF8/CF8M
10	SEAL	PTFE
11	BOLT	304
12	BALL	CF8/CF8M
13	BODY	CF8/CF8M
14	NUT	304
15	THRUST WASHER	304

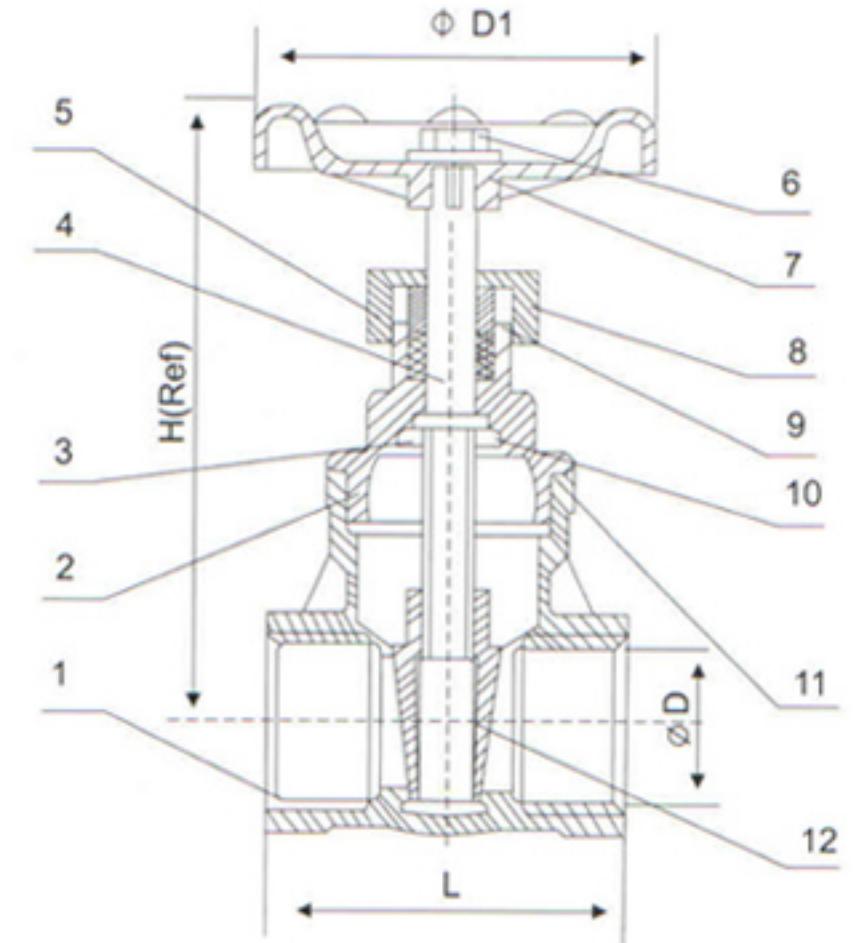
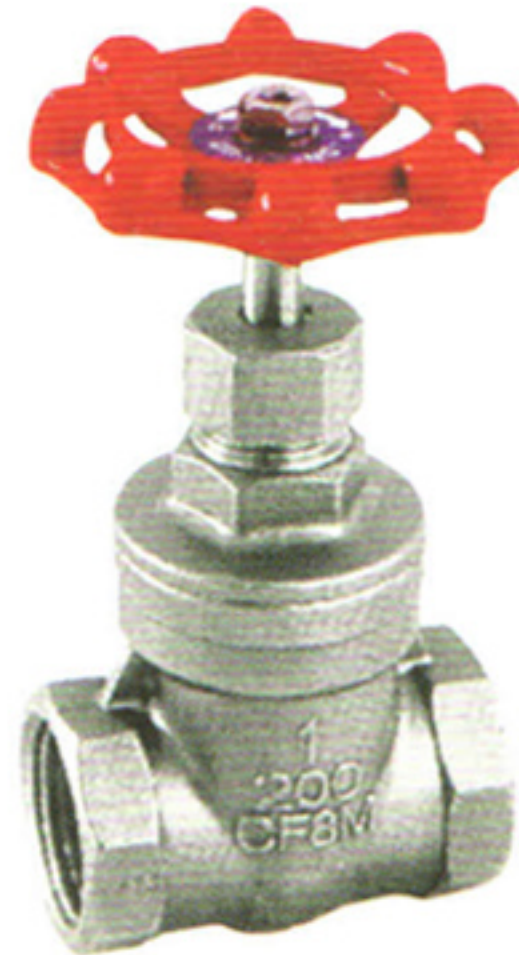
ITEM	SIZE	1/2"	3/4"	1"	1-1/4"	1-1/2"	2"	2-1/2"	3"	4"
D		15	20	25	32	40	50	65	80	94
H		79	84	100	105	115	124	165	177	203
W		160	160	185	185	220	220	305	305	330
PN	L	130	150	160	180	200	230	290	310	350
ANSI	L	108	117	127	140	165	178	190	203	229
DIN Pn16	D1	95	105	115	140	150	165	185	200	220
	K	65	75	85	100	110	125	145	160	180
	G	45	58	68	78	88	102	122	138	158
	B	14	16	16	16	16	18	18	20	20
DIN Pn40	I/N	14/4	14/4	14/4	18/4	18/4	18/4	18/4	18/8	18/8
	D1	95	105	115	140	150	165	185	200	235
	K	65	75	85	100	110	125	145	160	190
	G	45	58	68	78	88	102	122	138	162
ANSI 150	B	16	18	18	18	18	20	22	24	24
	I/N	14/4	14/4	14/4	18/4	18/4	18/4	18/8	18/8	22/8
	D1	89	98	108	117	127	152	178	190	229
	K	60.5	70	79.5	89	98.5	120.5	139.5	152.5	190.5
ANSI 150	G	35	43	51	64	73	92	105	127	157
	B	11.2	12.7	14.3	15.9	17.5	19.1	22.3	23.9	23.9
	I/N	16/4	16/4	16/4	16/4	16/4	19/4	19/4	19/4	19/8



## SS PIPE FITTING/FLANGE/VALVE

### Gate Valve

闸阀



#### 材质 MATERIALS

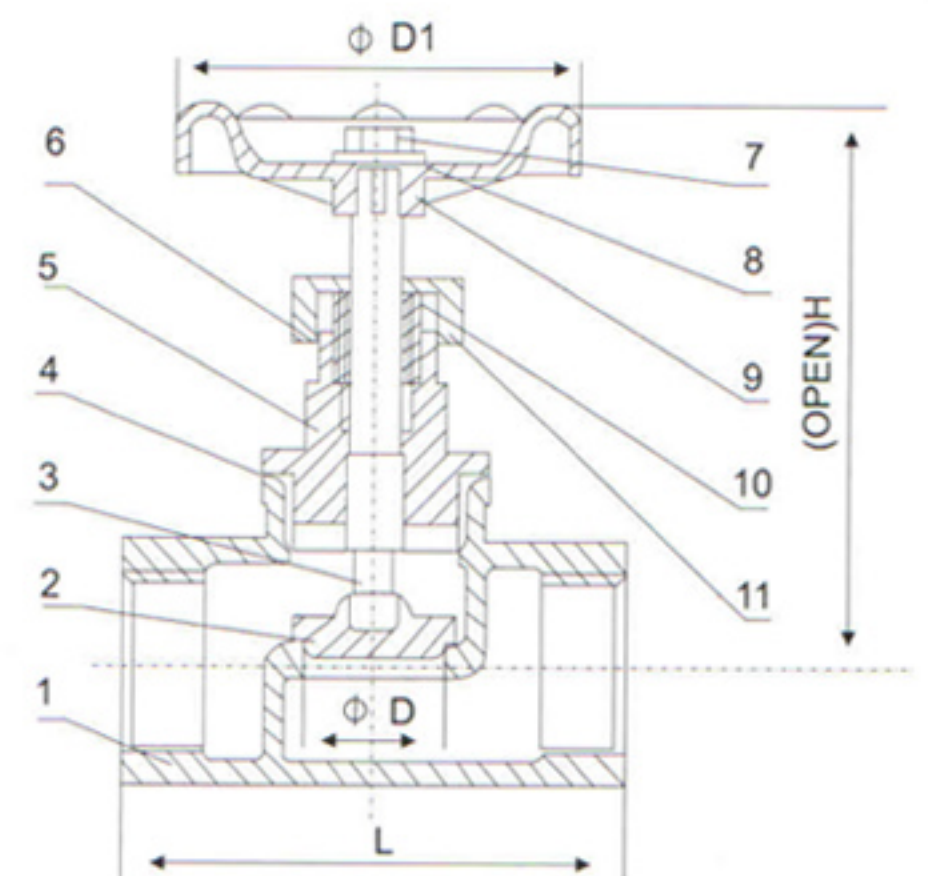
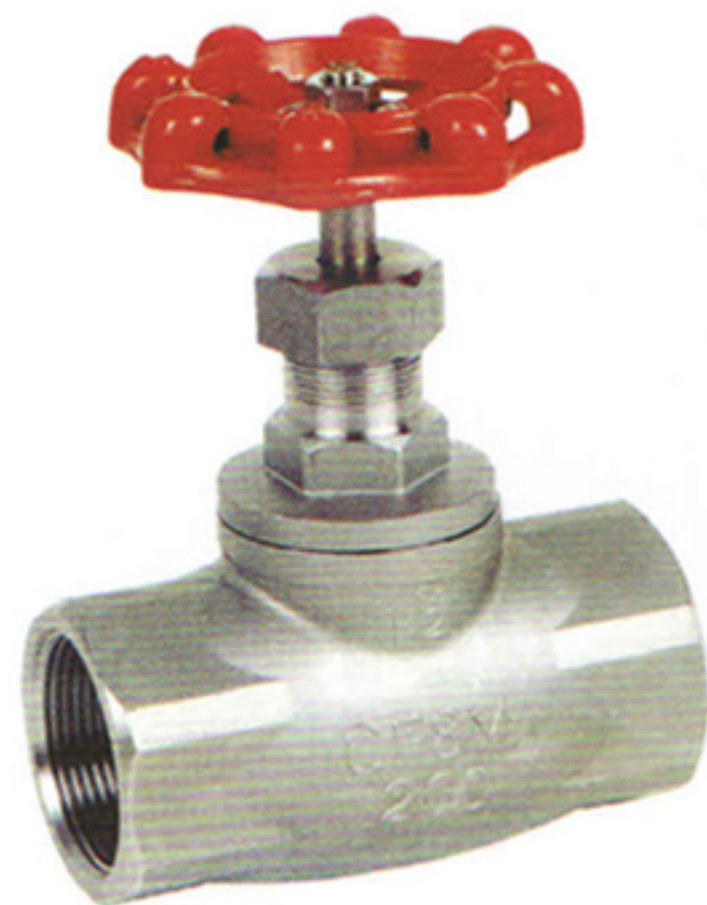
ITEM	DESIGNATION	MATERIAL
1	BODY	CF8/CF8M
2	BONNET	CF8/CF8M
3	STOP RING	304
4	STEM	316
5	PACKING	R-PTFE
6	HANDWHEEL NUT	304
7	HANDWHEEL	ALUMINUM
8	PACKING NUT	316
9	GLAND	304
10	LOCK NUT	316
11	GASKET	R-PTFE
12	DISC	CF8/CF8M

#### 尺寸 DIMENSIONS

SIZE	1/2"	3/4"	1"	1-1/4"	1-1/2"	2"
D	15	20	25	32	40	50
L	55	60	66	76	86	96
H	92	99	113	128	147	168
D1	70	70	80	80	90	100
CV FACTOR	17.6	32	54	97	135	230

### Globe Valve

截止阀



#### 材质 MATERIALS

ITEM	DESIGNATION	MATERIAL
1	BODY	CF8/CF8M
2	PETAL	CF8/CF8M
3	STEM	316
4	GASKET	PTFE
5	CAP	CF8/CF8M
6	WASHER	304/316
7	NUT	304
8	RING	304
9	HANDWHEEL	ALUMINUM ALLOY
10	GLAND RING	CF8/CF8M
11	STEM PACKING	PTFE

#### 尺寸 DIMENSIONS

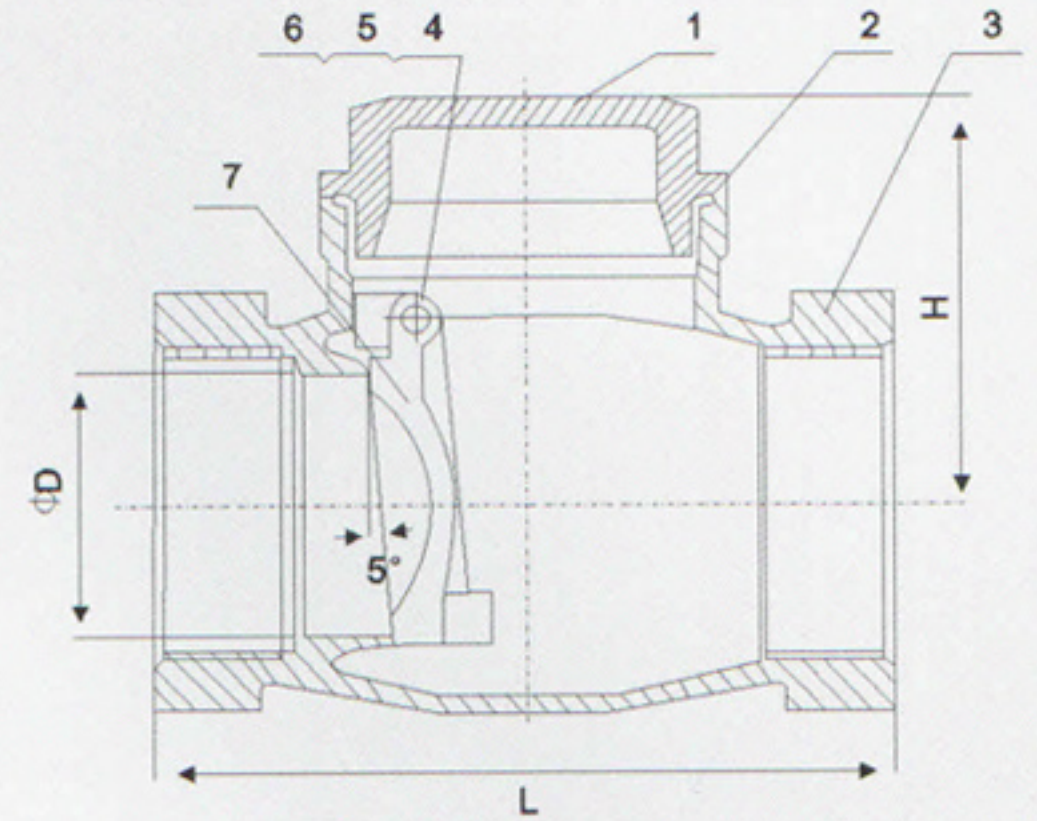
SIZE ITEM	1/2"	3/4"	1"	1-1/4"	1-1/2"	2"
D	15	20	25	32	40	50
L	66	80	90	105	120	141
H	100	106	118	134	152	172
D1	70	70	80	80	100	100



## SS PIPE FITTING/FLANGE/VALVE

### Swing Check Valve

旋启式止回阀



#### 材质 MATERIALS

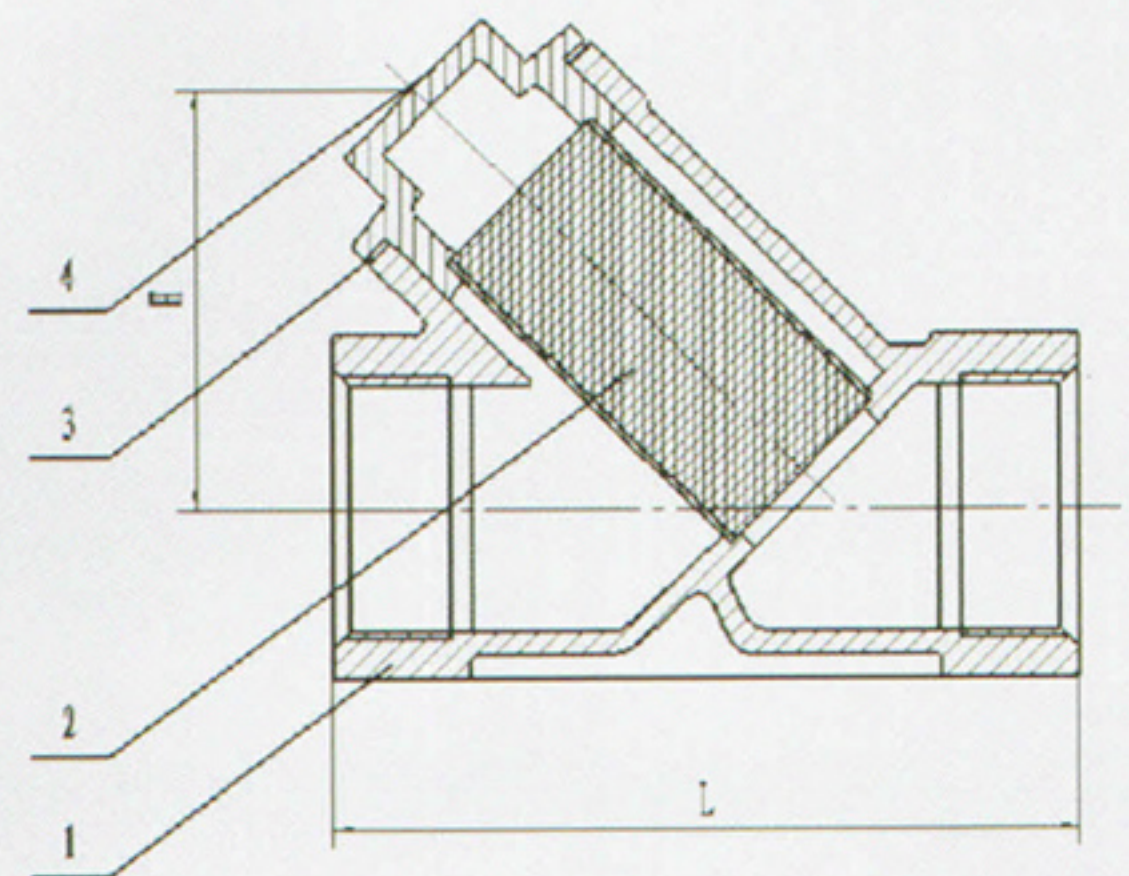
ITEM	DESIGNATION	MATERIAL
1	BONNET	CF8/CF8M
2	GASKET	PTFE
3	BODY	CF8/CF8M
4	HANGER PIN	304
5	PLUG GASKET	PTFE
6	PLUG	304
7	DISC	CF8/CF8M

#### 尺寸 DIMENSIONS

SIZE	1/2"	3/4"	1"	1-1/4"	1-1/2"	2"
D	15	20	25	32	40	50
L	65	80	90	105	120	140
H	43	53	60	60	75	79

### Y-Strainer

过滤器



#### 材质 MATERIALS

ITEM	DESIGNATION	MATERIAL
1	BODY	CF8/CF8M
2	SCREEN	304
3	GASKET	PTFE
4	BONNET	CF8/CF8M

#### 尺寸 DIMENSIONS

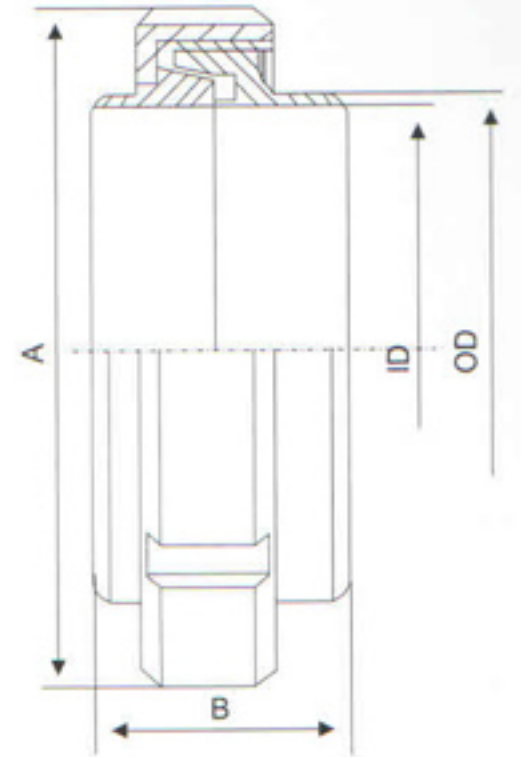
SIZE ITEM	1/4"	3/8"	1/2"	3/4"	1"	1-1/4"	1-1/2"	2"
L	65	65	65	80	90	105	120	140
H	33	33	35	45	57	58	66	77



## SS PIPE FITTING/FLANGE/VALVE

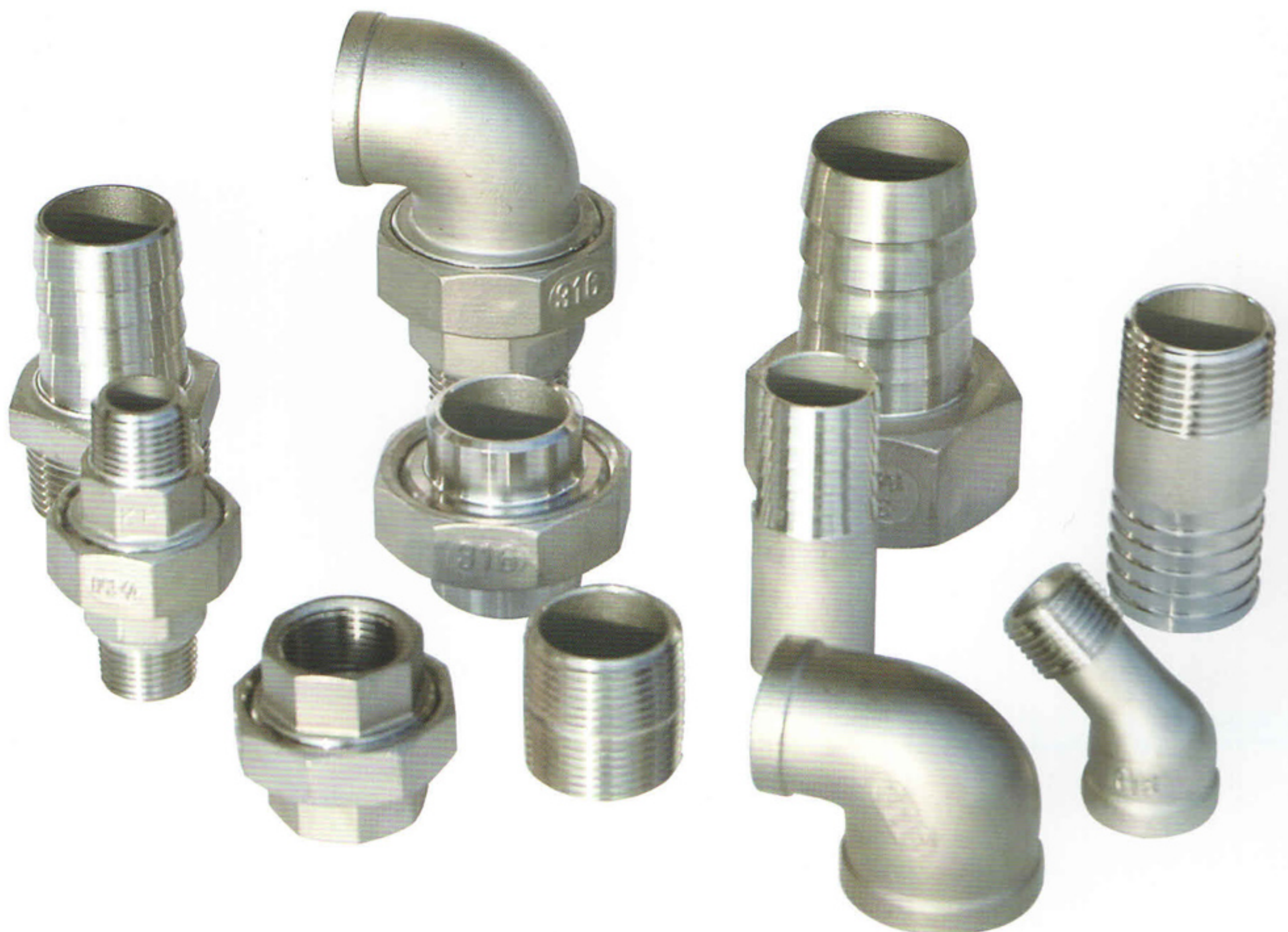
### Sanitary Union

卫生由任



### 尺寸 DIMENSIONS

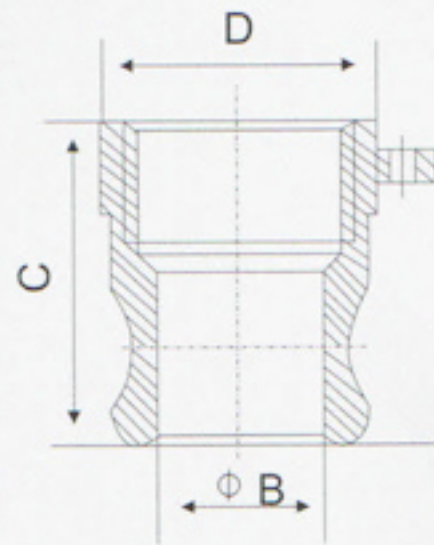
ITEM	SIZE	10	15	20	25	32	40	50	65	80	90	100	125	150
A		38	44	54	63	70	78	92	112	127	138	148	178	210
B		34	34	36	44	50	52	56	64	74	70	88	68	74
ID		10	16	20	26	32	38	50	66	81	89	100	125	150
OD		15	21	25	31	37	43	55	72	87	95	106	132	157





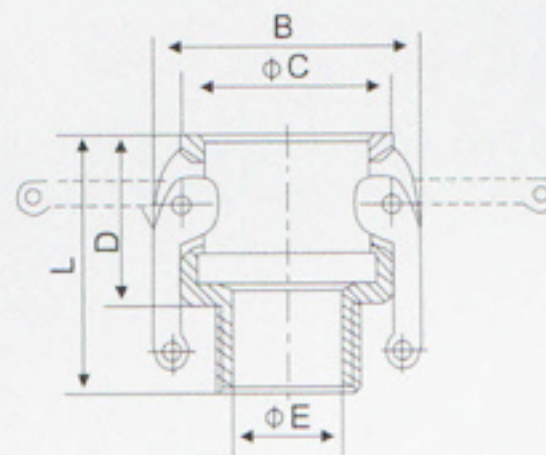
# SS PIPE FITTING/FLANGE/VALVE

## Quick Couplings 快速接头



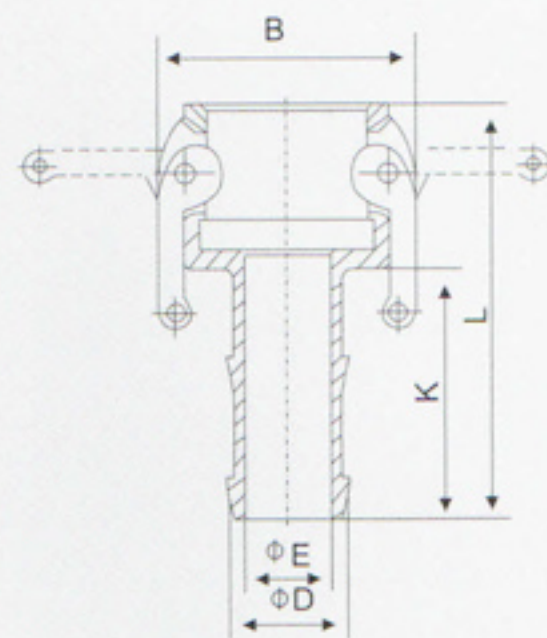
TYPE: A ADAPTOR FEMALE

SIZE	Inch	1/2"	3/4"	1"	1-1/4"	1-1/2"	2"	2-1/2"	3"	4"	5"	6"
	mm	15	20	25	32	40	50	65	80	100	125	150
B		23	23	26	32	39	48.5	60	76	103.5	129	156
C		37	37	43.5	48	52.5	59	82	67	67	81	84
D		33	33	38	47	55	65.5	72.5	96.5	122	154	181.5



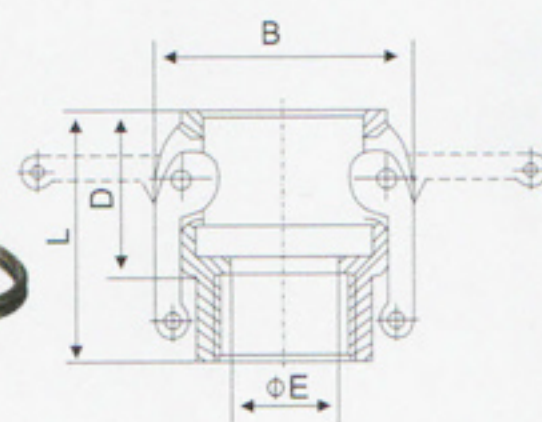
TYPE: B COUPLER MALE

SIZE	Inch	1/2"	3/4"	1"	1-1/4"	1-1/2"	2"	2-1/2"	3"	4"	5"	6"
	mm	15	20	25	32	40	50	65	80	100	125	150
B		52	52	58.5	73	80	92	104	123	153	182	212
C		41	41	47.5	54	63	74.5	88.5	104	135	167	197.5
D		30.5	30.5	37.5	44.5	45.5	51	53.5	55	56	58	68
E		15	20	26	32	40	51	65	77.5	101.5	126	151.5
L		47	47	55.5	65.5	68	78	83	90	91	97	110



TYPE: C COUPLER HOSE SHANK

SIZE	Inch	1/2"	3/4"	1"	1-1/4"	1-1/2"	2"	2-1/2"	3"	4"	5"	6"
	mm	15	20	25	32	40	50	65	80	100	125	150
B		50	50	59	73.5	81	82	105	123	153	182	215
D		20	20	26	34	40	53	64	77	103.5	131	158
E		16.5	16.5	20	28	33.5	46.5	57.5	69.5	94	121	147
K		56	56	61	60.5	71	74	82	91	108	116	124
L		86.5	86.5	98	105	116	126	135	147	164.5	174	193

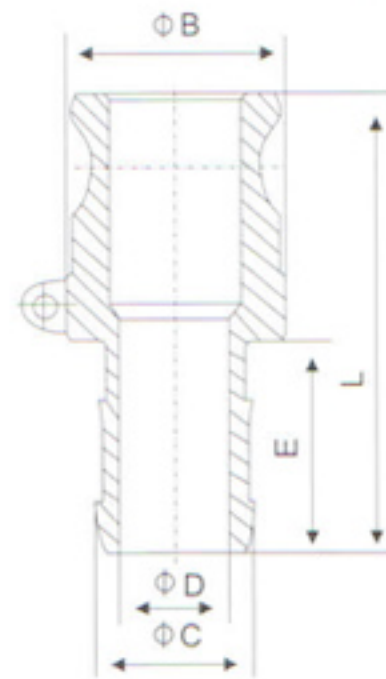


TYPE: D COUPLER FEMALE

SIZE	Inch	1/2"	3/4"	1"	1-1/4"	1-1/2"	2"	2-1/2"	3"	4"	5"	6"
	mm	15	20	25	32	40	50	65	80	100	125	150
B		52	52	57	73.5	81	93	106	125.5	153	183	214.5
D		30.5	30.5	36	43.5	41.5	51	53	55	56.5	61.5	69.5
E		16.5	20	27	35	40	51	64	75.5	101.5	124	150
L		45	47	54	64	65	74	82	86	86.5	103	113.5

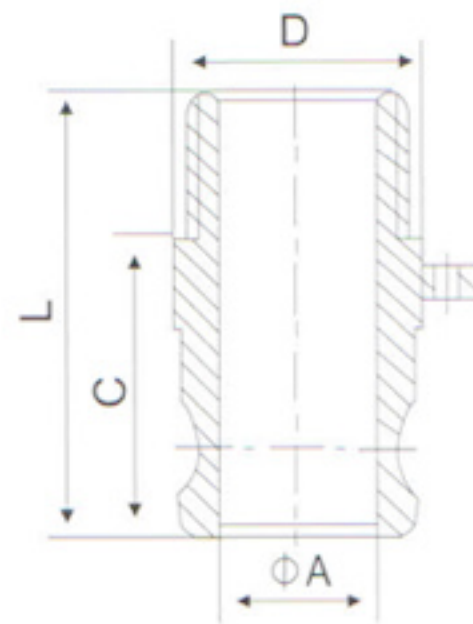


## SS PIPE FITTING/FLANGE/VALVE



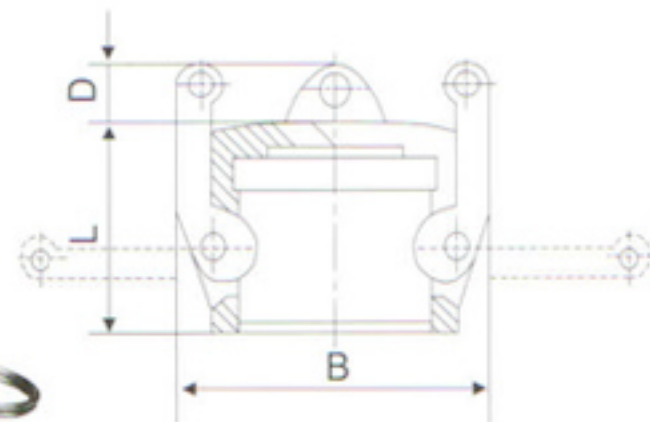
TYPE: E ADAPTOR HOSE SHANK

SIZE	Inch	1/2"	3/4"	1"	1-1/4"	1-1/2"	2"	2-1/2"	3"	4"	5"	6"
	mm	15	20	25	32	40	50	65	80	100	125	150
B		33	33	37	46	54	64.5	76	93	122	148	175.5
C		20	20	27	34	40	53	64	77	104.5	131.5	157
D		14.5	14.5	21.5	28	34	46	57	69	96.5	122	146
E		57.5	57.5	60.5	61	66	74	82	91	102	116	125
L		97.5	97.5	101	108	117	127	137	151	162.5	171.5	185



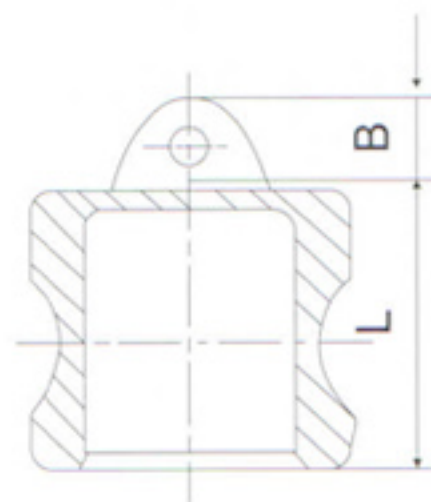
TYPE: F ADAPTOR MALE

SIZE	Inch	1/2"	3/4"	1"	1-1/4"	1-1/2"	2"	2-1/2"	3"	4"	5"	6"
	mm	15	20	25	32	40	50	65	80	100	125	150
A		15	22.5	19	31	39.5	48.5	61	76.5	103	127	151
C		31.5	32	40	50	51	55.5	61	65	69	79	86
D		30.5	30.5	37	47	54	64	80	93.5	121	147.5	180
L		48	48	58	72	73	80.5	87	95	103	119	126.5



TYPE: DC DUST CAP

SIZE	Inch	1/2"	3/4"	1"	1-1/4"	1-1/2"	2"	2-1/2"	3"	4"	5"	6"
	mm	15	20	25	32	40	50	65	80	100	125	150
B		52	52	57.5	73	80	92	105	123	153	182.5	215
D		10	10	9	9	9	10	10	12	11	21.5	24
L		32.5	32.5	38	47	47	55	61	62	64	60	73.5



TYPE: DP DUST PLUG

SIZE	Inch	1/2"	3/4"	1"	1-1/4"	1-1/2"	2"	2-1/2"	3"	4"	5"	6"
	mm	15	20	25	32	40	50	65	80	100	125	150
B		8	8	7	8	8	8	10	13	14	23	23
L		28	28	33	39.5	41	46	49	53.5	62	56	66