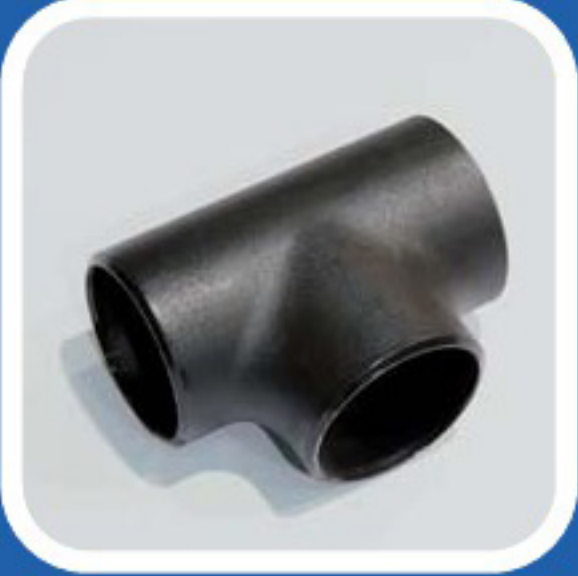


BUTTWELD PIPE FITTINGS





BUTTWELD PIPE FITTING



ASTM L/R 90° ELBOW



ASTM S/R 90° ELBOW



ASTM L/R 45° ELBOW



ASTM S/R 45° ELBOW



ASTM L/R 180° ELBOW



ASTM S/R 180° ELBOW



ASTM CAP



ASTM BLACK MATT ELBOW



DIN 2605
TYPE 5-5D



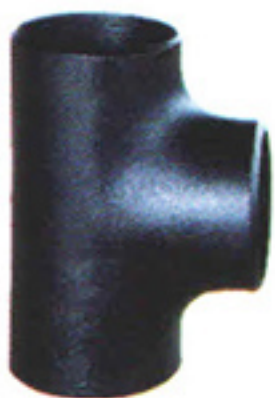
DIN 2605
TYPE 3-3D



DIN 2615



CAP
DIN 2617



ASTM STRAIGHT TEE



ASTM REDUCING TEE



ASTM CON REDUCER



ASTM ECC REDUCER



JIS B 2311
L/R 90° ELBOW



JIS B 2311
S/R 90° ELBOW



JIS B 2311
CON REDUCER



JIS B 2311
STRAIGHT TEE



DIN 2615



DIN 2616



DIN 2616



L/R 90° ELBOW
GALVANIZED PIPE-FITTINGS



BUTTWELD PIPE FITTING

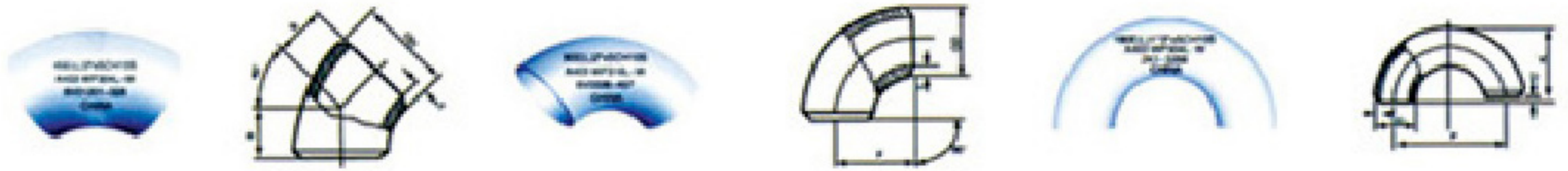
MANUFACTURING STANDARD

标准代号 Standard Code	标准名称 Standrd Name	标准代号 Standard Code	标准名称 Standrd Name
GB/T12459	钢制对焊无缝管件 Steel Butt-Welding Seamless Pipe Fittings	ASME B16.47	大直径钢制法兰 Large Diameter Steel Flanges
GB/T13401	钢板只对焊管件 Steel Plate Butt-Welding Pipe Fittings	ASME B16.48	钢制管线法兰 Steel Line Blanks
GB/T14383	锻钢制承插焊管件 Forged Steel Socket Welding Pipe Fittings	ASME B16.9	工厂制造的锻钢对焊管件 Factor-Made Wrought Steel Buttwelding Fittings
GB/T14626	锻钢制螺纹管件 Forged Steel Threaded Pipe Fittings	ASME B16.11	承插焊和螺纹锻钢管件 Forged Fittings Socket-Welding And Threaded
GB 9112-9131	钢制管法兰及法兰用垫片 Steel Pipe Flanges And Gaskets	ASME B16.28	锻钢对焊小半径弯头和回弯头 Wrought Steel Buttwelding Short Radius And Returns
SH3406	石油化工钢制管法兰 Steel Pipe Flanges And Gaskets	ASME B16.5	管法兰与法兰配件 Pipt Flanges And Flanged Fittings
SH3408	钢制对焊无缝管件 Steel Butt-Welded Seamless Fittings	MSS SP-43	锻制不锈钢对焊管件 Wrought Stainless Steel Buttwelding Fittings
SH3409	钢板制对焊管件 Steel Plate Butt-Welding Fittings	MSS SP-79	承插焊异径插入件 Socket-Welding Reducer Inserts
SH3410	锻钢制承插焊管件 Forged Steel Socket-Welded Fittings	MSS SP-83	承插焊和螺纹活接头 Socket Welding And Threaded Unions
HGJ10	锻钢承插焊管件 Forged Steel Socket-Welded Fittings	MSS SP-95	缩径管和圆堵头 Swaged Nipples And Bull Plugs
HGJ514	碳钢, 低合金钢无缝对焊管件 Carbon Steel, Low-Alloy Steel Butt-Welded Seamless Fittings	MSS SP-97	承插焊, 螺纹和对焊端整体加强式管座 Integrally Reinforced Forged Branch Outlet Fittings
HGJ528	钢制有缝对焊管件 Steel Plate Butt-Welded Fittings	JIS B2238	钢制法兰总则 General Rules For Steel Pipe Flanges
HGJ529	锻钢承插焊, 螺纹和对焊接管台 Forged Steel Socket Welding Threaded And Butt-Welding Outlet	JIS B2311	通用钢制对焊管件 Universal Steel Buttwelding Pipe Fittings
HG20592-20635	钢制管法兰, 垫片, 紧固件 Steel Pipe Flanges, Gaskets And Fasteners	JIS B2312	钢制对焊管件 Steel Buttwelding Pipe Fittings
GD 87-1101	火力发电厂汽水管道零件及部件典型设计手册 Typical Desing Manual Of Pipe Parts For steam Power Plant	JIS B2313	钢板制对焊管件 Steel Plate Buttwelding Pipe Fittings
DL/T515	电站弯管 Bends For Power Plant	JIS B2316	钢制承插焊管件 Steel Socket-Welding Pipe Fittings
SY 5257	钢制弯管 Steel Bends	DIN 2605	钢制对焊管件, 弯头和弯管 Steel Buttwelding Pipe Fittings, Elbows And Bends
ISO 3419	非合金钢和合金钢对焊管件 Non-Alloy Steel And Alloy Steel Butt-Stainless Steel Butt-Welding Fittings	DIN 2615	钢制对焊管件, 三通 Steel Buttwelding Pipe Fittings, Tees
SIO 5251	不锈钢对焊管件 Stainless Steel Butt-Welding Fittings	DIN 2616	钢制对焊管件, 异径管 Steel Buttwelding Pipe Fittings, Reducer
GB/T 12465	管路松套伸缩接头 Piping Sleeve Expansion Joints	DIN 2617	钢制对焊管件, 管帽 Steel Buttwelding Pipe Fittings, Caps
GB/T 12414	套接式管接头 Sleeving Pipe Joints	CB*694	伸缩接头 Expansion Joints
		CBM 1129	伸缩接头 Expansion Joints
		Q/JHA001-99	铜镍合金对焊管件 Copper-Nickel Alloy Butt Welding Pipe Fittings
		Q/JHA002-00	双相不锈钢管件 Duplex Stainless Steel Pipe Fittings



BUTTWELD PIPE FITTING

ELBOW (90° 45° 180°)

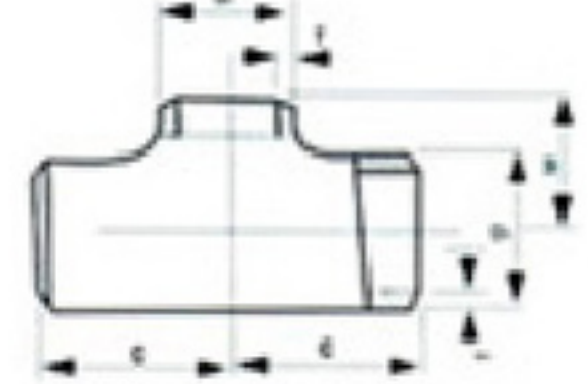
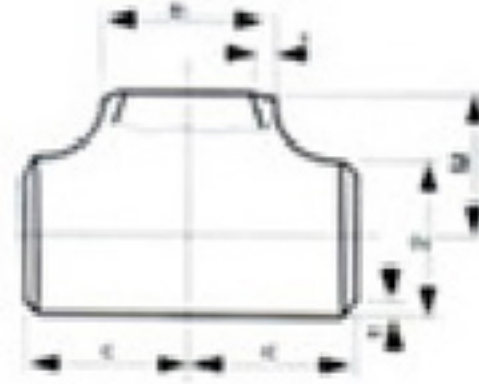


公称直径 Nominal diameter		外径mm outside diameter		中心距至端面的距离 center to end			理论重量Kg/pcs approx weight								
DN	INCH	GB	ASME	F	B		sch5S	sch10S	sch20S	sch20	STD	sch40	XS	sch80	sch120
					GB	ASME									
15	1/2	18 21.3	21.3	38	16	16	0.04 0.05	0.05 0.06	0.058 0.063	-	0.06 0.08	0.06 0.08	0.18 0.10	0.08 0.10	-
20	3/4	25 26.9	26.7	38	16	19	0.06 0.06	0.07 0.08	0.08 0.09	-	0.09 0.10	0.09 0.10	0.13 0.13	0.13 0.13	-
25	1	32 33.7	33.4	38	16	22	0.07 0.08	0.12 0.13	0.13 0.135	-	0.14 0.14	0.14 0.14	0.18 0.19	0.18 0.19	-
32	1.1/4	38 42.4	42.4	48	20	25	0.11 0.13	0.18 0.21	0.21 0.24	-	0.23 0.26	0.23 0.26	0.31 0.35	0.31 0.35	-
40	1.1/2	45 48.3	48.3	57	24	29	0.16 0.17	0.26 0.28	0.30 0.32	-	0.33 0.35	0.33 0.35	0.44 0.48	0.44 0.48	-
50	2	57 60.3	60.3	76	32	35	0.28 0.29	0.45 0.47	0.59 0.61	-	0.62 0.66	0.62 0.66	0.85 0.90	0.85 0.90	-
65	2.1/2	76 76.1	73	95	40	44	0.55 0.57	0.80 0.83	0.96 1.1	-	1.25 1.31	1.25 1.31	1.72 1.80	1.72 1.80	-
80	3	89 88.9	88.9	114	47	51	0.80	1.17	1.6	-	2.06	2.06	2.86	2.86	-
90	3.1/2	101.6	101.6	133	55	57	1.09	1.57	2.1	-	2.74	2.74	3.82	3.82	-
100	4	108 114.3	114.3	152	63	64	1.31 1.39	1.91 2.03	2.65 2.87	-	3.54 3.76	3.54 3.76	5.13 5.46	5.13 5.46	6.27 6.68
125	5	113 139.7	141.3	190	79	79	2.68 2.87	3.24 3.41	4.81 5.06	-	6.16 6.47	6.16 6.47	8.71 9.14	8.71 9.14	11.3 11.9
150	6	159 168.3	168.3	229	95	95	3.85 4.10	4.69 4.96	6.97 7.38	-	9.56 10.1	9.56 10.1	14.4 15.3	14.4 15.3	18.6 19.8
200	8	219 219.1	219.1	305	126	127	7.15 7.15	9.65 9.65	16.1 16.1	-	20.4 20.4	20.4 20.4	31.0 31.0	31.0 31.0	43.1 43.1
250	10	273 273	273	381	158	159	13.7	16.7	25.8	-	36.2	36.2	48.8	57.2	79.7
300	12	325 323.9	323.9	457	189	190	23.0 22.6	26.1 26.0	36.1 36.0	-	55.7 52.8	55.7 55.5	70.2 69.9	95.2 94.8	133 133
350	14	377 355.6	355.6	533	221	222	30.8 29.0	36.9 34.7	36.9 34.7	-	75.7 68.0	83.1 78.2	95.5 89.9	147 138	202 189
400	16	426 406.4	406.4	610	253	254	41.8 39.9	47.7 45.5	78.0 74.3	-	98.2 89.2	122 116	124 118	211 201	280 267
450	18	478 457	457	686	284	286	52.9 50.5	60.3 57.7	87.7 83.8	-	124 119	175 167	157 150	301 287	422 403
500	20	529 508	508	762	316	318	74.2 71.3	84.9 81.5	146 140	-	153 147	242 232	193 186	414 396	577 552
550	22	559	559	838	347	343	86.3	98.8	169	-	169		225	496	694
600	24	630 610	610	914	379	381	122 118	141 137	209 202	-	209 202	379 367	227 268	657 638	951 918
650	26	660	660	991	410	405	-	-	315	-	237	-	315	-	-
700	28	720 711	711	1067	442	438	-	-	371 366	-	279 275	-	371 366	-	-
750	30	762	762	1143	473	470	214	264	421	-	316	-	421	-	-
800	32	820 813	813	1219	505	502	-	-	484 480	-	363 260	663 657	481 480	-	-
850	34	864 920	864	1295	537	533	-	-	542	-	407	742	542	-	-
900	36	914	914	1372	568	565	-	-	612 608	-	459 456	914 908	612 608	-	-



BUTTWELD PIPE FITTING

TEE (STRAIGHT AND REDUCING)



公称通径 Nominal diameter		外径mm Outside diameter	中心距至端面的距离 Center to end		理论重量kg/pcs Approx weight											
DN	INCH	D ₁ × D ₂	C	M	Sch5S	Sch10S	Sch20S	STD	Sch40	XS	Sch80	Sch120				
20 × 20	3/4 × 3/4	25 × 25 26.7 × 26.7	29	29	0.07 0.08	0.10 0.11	0.12 0.13	0.13 0.15	0.13 0.15	0.16 0.18	0.16 0.18	=				
20 × 15	3/4 × 1/2	25 × 18 26.7 × 21.3	29	29	0.06 0.07	0.09 0.10	0.11 0.12	0.12 0.13	0.12 0.13	0.15 0.16	0.15 0.16	=				
25 × 25	1 × 1	32 × 32 33.4 × 33.4	38	38	0.11 0.12	0.19 0.20	0.21 0.22	0.23 0.25	0.23 0.25	0.30 0.32	0.30 0.32	=				
25 × 20	1 × 3/4	32 × 25 33.4 × 26.7	38	38	0.10 0.11	0.18 0.19	0.20 0.21	0.22 0.24	0.22 0.24	0.28 0.31	0.28 0.31	=				
25 × 15	1 × 1/2	32 × 18 33.4 × 21.3	38	38	0.09 0.10	0.17 0.18	0.19 0.20	0.21 0.23	0.21 0.23	0.27 0.30	0.27 0.30	=				
32 × 32	1.1/4 × 1.1/4	38 × 38 42.2 × 42.2	48	48	0.19 0.20	0.36 0.39	0.39 0.45	0.42 0.52	0.42 0.52	0.63 0.73	0.63 0.73	=				
32 × 25	1.1/4 × 1	38 × 32 42.2 × 33.4	48	48	0.18 0.19	0.33 0.35	0.37 0.39	0.40 0.42	0.40 0.42	0.58 0.68	0.58 0.68	=				
32 × 20	1.1/4 × 3/4	38 × 25 42.2 × 26.7	48	48	0.17 0.18	0.31 0.32	0.34 0.36	0.38 0.40	0.38 0.40	0.55 0.65	0.55 0.65	=				
32 × 15	1.1/4 × 1/2	38 × 18 42.2 × 21.3	48	48	0.16 0.17	0.30 0.31	0.33 0.35	0.36 0.38	0.36 0.38	0.52 0.62	0.52 0.68	=				
40 × 40	1.1/2 × 1.1/2	45 × 45 48.3 × 48.3	57	57	0.35 0.45	0.59 0.69	0.65 0.76	0.78 0.88	0.78 0.88	1.08 1.18	1.00 1.18	=				
40 × 32	1.1/2 × 1.1/4	45 × 38 48.3 × 42.2	57	57	0.32 0.42	0.54 0.65	0.63 0.75	0.72 0.82	0.72 0.82	0.99 1.09	0.99 1.09	=				
40 × 25	1.1/2 × 1	45 × 32 48.3 × 33.4	57	57	0.27 0.37	0.45 0.65	0.52 0.73	0.60 0.80	0.60 0.80	0.83 1.08	0.83 1.03	=				
40 × 20	1.1/2 × 3/4	45 × 25 48.3 × 26.7	57	57	0.26 0.36	0.44 0.64	0.51 0.66	0.58 0.68	0.58 0.68	0.80 1.00	0.80 1.00	=				
45 × 15	1.1/2 × 1/2	45 × 18 48.3 × 21.3	57	57	0.25 0.35	0.42 0.62	0.48 0.64	0.56 0.66	0.56 0.66	0.78 0.78	0.78 0.78	=				
50 × 50	2 × 2	57 × 57 60.3 × 60.3	64	64	0.49 0.50	1.03 1.05	1.11 1.13	1.15 1.18	1.15 1.18	1.65 1.67	1.65 1.67	=				
50 × 40	2 × 1.1/2	57 × 45 60.3 × 48.3	64	60	0.44 0.45	0.93 0.95	1.01 1.03	1.04 1.06	1.04 1.06	1.48 1.50	1.48 1.50	=				
50 × 32	2 × 1.1/4	57 × 38 60.3 × 42.2	64	57	0.40 0.43	0.81 0.89	0.88 0.94	0.98 1.00	0.98 1.00	1.37 1.42	1.37 1.42	=				
50 × 25	2 × 1	57 × 32 60.3 × 33.4	64	51	0.39 0.40	0.72 0.84	0.83 0.88	0.92 0.94	0.92 0.94	1.31 1.34	1.31 1.34	=				
50 × 20	2 × 3/4	57 × 25 60.3 × 26.7	64	44	0.37 0.38	0.70 0.80	0.77 0.85	0.87 0.90	0.87 0.90	1.24 1.27	1.24 1.27	=				
65 × 65	2.1/2 × 2.1/2	76 × 76 73.0 × 73.0	76	76	0.87 0.86	1.25 1.21	1.73 1.65	2.12 2.10	2.12 2.10	2.88 2.80	2.88 2.80	=				
65 × 50	2.1/2 × 2	76 × 57 73.0 × 60.3	76	70	0.82 0.81	1.17 1.16	1.54 1.48	2.00 1.98	2.00 1.98	2.70 2.65	2.74 2.09	=				
65 × 40	2.1/2 × 1.1/2	76 × 45 73.0 × 48.3	76	67	0.77 0.76	1.11 1.10	1.41 1.38	1.89 1.88	1.89 1.88	2.56 2.55	2.56 2.55	=				
65 × 32	2.1/2 × 1.1/4	76 × 38 73.0 × 42.2	76	64	0.75 0.74	1.10 1.08	1.35 1.30	1.80 1.89	1.80 1.89	2.50 2.25	2.50 2.25	=				
65 × 25	2.1/2 × 1	76 × 32 73.0 × 33.4	76	57	0.76 0.70	1.10 1.07	1.34 1.28	1.86 1.81	1.86 1.81	2.53 2.08	2.53 2.08	=				
80 × 80	3 × 3	89 × 89	86	86	1.16	1.68	2.21	3.02	3.02	4.19	4.19	=				
80 × 65	3 × 2.1/2	89 × 76 88.9 × 73.0	86	83	1.11 1.10	1.62 1.60	2.13 2.08	2.89 2.87	2.98 2.87	4.02 3.98	4.02 3.98	=				
80 × 50	3 × 2	89 × 57 88.9 × 60.3	86	76	1.06 1.07	1.53 1.55	2.05 2.10	2.76 2.79	2.76 2.79	3.81 3.85	3.81 3.85	=				
80 × 40	3 × 1.1/2	89 × 45 88.9 × 48.3	86	73	1.01 1.03	1.49 1.50	1.98 2.01	2.67 2.67	2.67 2.69	3.70 3.73	3.70 3.73	=				
80 × 32	3 × 1.1/4	89 × 38 88.9 × 42.2	86	70	1.00 1.00	1.48 1.45	1.97 1.95	2.65 2.60	2.65 2.60	3.68 3.60	3.68 3.60	=				
90 × 90	3.1/2 × 3.1/2	101.6 × 101.6	95	95	1.33	1.92	2.53	3.61	3.61	5.08	5.08	=				
90 × 80	3.1/2 × 3	101.6 × 88.9	95	92	1.26	1.82	2.41	3.43	3.43	4.83	4.83	=				
90 × 65	3.1/2 × 2.1/2	101.6 × 73.0	95	89	1.22	1.76	2.35	3.32	3.32	4.67	4.67	=				
90 × 50	3.1/2 × 2	101.6 × 60.3	95	83	1.20	1.73	2.31	3.25	3.25	4.57	4.57	=				
90 × 40	3.1/2 × 1.1/2	101.6 × 48.3	95	79	1.17	1.70	2.26	3.21	3.21	4.51	4.51	=				



BUTTWELD PIPE FITTING

TEE (STRAIGHT AND REDUCING)

公称通径 Nominal diameter		外径mm Outside diameter	中心距至端面的距离 Center to end		理论重量kg/pcs Approx weight							
DN	INCH	D1 x D2	C	M	Sch5s	Sch10s	Sch20s	STD	Sch40	XS	Sch80	Sch120
100 x 100	4 x 4	108 x 108 114.3 x 114.3	105	105	1.66 1.75	2.41 2.54	3.02 3.26	4.75 5.01	4.75 5.01	6.75 7.12	6.75 7.12	8.78 9.26
100 x 90	4 x 3.1/2	114.3 x 101.6	105	102	1.70	2.46	3.19	4.85	4.85	6.89	6.89	8.96
100 x 80	4 x 3	108 x 89 114.3 x 88.9	105	98	1.55 1.61	2.24 2.33	3.16 3.21	4.42 4.60	4.42 4.60	6.27 6.52	6.27 6.52	8.15 8.48
125 x 125	5 x 5	133 x 133 141.3 x 141.3	124	124	3.18 3.37	3.91 4.14	6.17 6.31	7.53 7.98	7.53 7.98	10.9 11.6	10.9 11.6	16.4 15.4
125 x 100	5 x 4	133 x 108 141.3 x 114.3	124	117	3.03 3.15	3.73 3.90	5.76 5.91	7.20 7.52	7.20 7.52	10.4 10.8	10.4 10.8	13.9 14.5
125 x 90	5 x 3.1/2	141.3 x 101.6	124	114	3.09	3.83	5.83	7.39	7.39	10.6	10.6	14.2
150 x 150	6 x 6	159 x 159 168.3 x 168.3	143	143	4.09 4.32	5.03 5.31	8.91 9.10	10.5 11.1	10.5 11.1	16.2 17.1	16.2 17.1	21.0 22.2
150 x 125	6 x 5	159 x 133 168.3 x 141.3	143	137	3.84 4.13	4.73 5.08	8.33 9.01	9.88 10.6	9.88 10.6	15.2 16.3	15.2 16.3	19.8 21.3
150 x 100	6 x 4	159 x 108 168.3 x 114.3	143	130	3.76 3.95	4.46 4.87	8.21 8.55	9.70 10.2	9.70 10.2	14.9 15.6	14.9 15.6	19.3 20.3
200 x 200	8 x 8	219 x 219	178	178	7.72	10.4	17.7	22.8	22.8	35.4	35.4	50.8
200 x 150	8 x 6	219 x 159 219.1 x 168.3	178	168	6.74 7.17	9.20 9.74	16.4 16.4	19.9 21.1	19.9 21.1	30.9 32.8	30.9 32.8	44.4 47.2
250 x 250	10 x 10	273 x 273	216	216	14.6	18.04	27.39	20.1	40.04	31.1	65.12	92.51
250 x 200	10 x 8	273 x 219	216	208	13.3	16.4	24.9	36.4	36.4	49.8	59.2	84.1
250 x 150	10 x 6	273 x 159 273.1 x 168.3	216	194	11.4 12.1	15.0 15.0	21.3 22.7	31.4 33.4	31.4 33.4	42.7 45.4	50.7 54.0	72.1 76.7
250 x 125	10 x 5	273 x 133 273.1 x 141.3	216	191	11.2 11.9	14.6 14.6	20.9 22.2	30.7 32.7	30.7 32.7	41.8 44.5	49.7 52.9	70.6 75.1
250 x 100	10 x 4	273 x 108 273.1 x 114.3	216	184	11.0 11.7	14.4 14.4	20.6 21.9	30.3 32.2	30.3 32.2	41.2 42.9	49.0 52.1	69.6 74.1
300 x 300	12 x 12	325 x 325 323.9 x 323.9	254	254	21.5 21.5	24.8 24.8	34.5 34.5	51.8 51.8	56.1 56.0	69.0 69.0	95.0 95.0	138 138
300 x 250	12 x 10	325 x 273 323.9 x 273.1	254	241	20.4 20.3	23.6 23.4	32.8 32.1	49.2 49.1	53.3 53.1	65.6 65.2	90.3 90.2	131 130
300 x 200	12 x 8	325 x 219 323.9 x 219.1	254	229	20.2 20.0	23.3 23.1	32.3 32.1	48.4 48.2	52.4 52.2	64.4 64.2	88.6 88.4	128 118
350 x 350	14 x 14	377 x 377 355.6 x 355.6	279	279	27.4 25.7	33.1 31.1	54.9 51.5	66.1 62.0	77.2 72.5	88.0 82.7	132 124	192 181
350 x 300	14 x 12	377 x 325 355.6 x 323.9	279	270	25.8 24.2	31.1 29.2	51.6 48.5	62.1 58.3	72.5 68.2	82.7 77.7	124 116	181 170
400 x 400	16 x 16	426 x 426 406.4 x 406.4	305	305	33.1 31.4	38.0 36.1	63.0 59.8	75.9 72.3	101 96.4	101 96.1	170 162	246 234
400 x 350	16 x 14	426 x 377 406.4 x 355.6	305	305	32.0 30.4	36.8 34.9	60.9 57.9	73.6 70.1	98.1 93.4	97.8 92.9	179 170	238 226
400 x 300	16 x 12	426 x 325 406.4 x 323.9	305	295	31.0 28.2	35.6 34.4	59.0 57.7	71.4 69.1	95.2 90.8	94.7 89.2	173 168	230 209
400 x 250	16 x 10	426 x 273 406.4 x 273.1	305	283	30.2 28.7	34.7 33.0	57.6 54.7	69.9 66.6	93.1 88.7	92.5 87.8	169 161	225 209
400 x 200	16 x 8	426 x 219 406.4 x 219.1	305	273	29.5 28.1	33.9 32.3	56.2 53.5	68.4 65.1	91.1 86.8	90.2 86	165 157	219
400 x 150	16 x 6	426 x 159 406.4 x 168.3	305	264	29.2 27.7	33.5 31.8	55.6 52.8	67.6 64.4	90.1 85.8	89.2 84.8	163 155	217 206
450 x 450	18 x 18	478 x 478 457 x 457	343	343	41.9 39.8	47.8 45.5	79.2 75.4	95.3 90.7	142 136	127 120	233 218	349 332
450 x 400	18 x 16	478 x 426 457 x 406.4	343	330	41.0 39.0	46.8 44.5	77.5 73.8	93.3 88.9	140 133	144 118	233 222	342 325
450 x 350	18 x 14	478 x 377 406.4 x 355.6	343	330	40.4 38.3	46.1 43.8	76.3 72.5	91.9 87.3	137 130	142 135	229 228	336 320
500 x 500	20 x 20	529 x 529 508 x 500	381	381	58.9 56.3	68.2 65.3	117 112	117 112	186 178	156 149	322 308	469 449
500 x 450	20 x 18	529 x 478 508 x 457	381	368	57.9 55.4	67.1 64.2	115 110	115 110	183 175	154 147	317 303	462 441
500 x 400	20 x 16	529 x 426 508 x 406.4	381	356	57.0 54.7	66.0 63.4	113 109	113 109	180 173	151 145	312 299	454 436
550 x 550	22 x 22	559 x 559	419	419	73.5	85.2	146	146	440	195	-	635
550 x 500	22 x 20	559 x 508	419	406	70.7	81.9	141	141	422	187	-	610
550 x 450	22 x 18	559 x 457	419	394	67.7	78.5	135	135	404	180	-	584
550 x 400	22 x 16	559 x 406.4	419	381	66.2	76.7	132	132	395	179	-	571
600 x 600	24 x 24	630 x 630 610 x 610	432	432	96.0 93.9	110 107	165 161	165 161	536 524	220 215	303 296	797 779
600 x 550	24 x 22	610 x 559	432	432	90.1	103	155	155	503	206	-	748
600 x 500	24 x 20	630 x 529 610 x 508	432	432	92.2 86.4	105 99.4	158 148	158 148	515 482	211 198	291 272	765 701
600 x 450	24 x 18	630 x 478 610 x 457	432	419	88.4 84.5	101 96.9	152 145	152 145	493 473	202 193	278 266	734 694
600 x 400	24 x 16	630 x 426 610 x 406.4	432	406	86.4 83.2	99.1 95.7	148 143	148 143	483 466	198 191	272 263	718 690
650 x 650	26 x 26	660 x 660	495	495	-	-	274	206	-	274	-	-



BUTTWELD PIPE FITTING

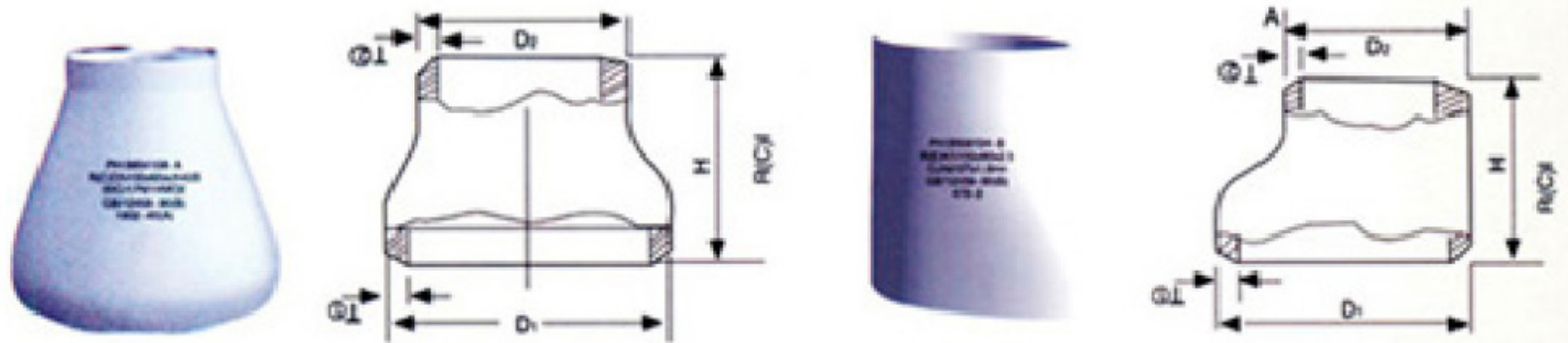
TEE (STRAIGHT AND REDUCING)

公称通径 Nominal diameter		外径mm Outside diameter	中心距至端面的距离 Center to end		理论重量kg/pcs Approx weight							
DN	INCH	D1 x D2	C	M	Sch5s	Sch10s	Sch20s	STD	Sch40	XS	Sch80	Sch120
650 x 600	26 x 24	660 x 610	495	483	-	-	263	197	-	263	-	-
650 x 550	26 x 22	660 x 559	495	470	-	-	252	189	-	252	-	-
650 x 500	26 x 20	660 x 508.0	495	457	-	-	246	185	-	246	-	-
650 x 450	26 x 18	660 x 457.2	495	444	-	-	244	183	-	244	-	-
700 x 700	28 x 28	720 x 720 711 x 711	521	521	-	-	309 305	232 229	-	300 305	-	-
700 x 650	28 x 26	711 x 660	521	521	-	-	293	222	-	293	-	-
700 x 600	28 x 24	720 x 630 711 x 610	510	508	-	-	296 284	222 211	-	296 275	-	-
700 x 550	28 x 22	711 x 559	521	495	-	-	273	204	-	272	-	-
700 x 500	28 x 20	720 x 529 711 x 508	521	483	-	-	296 275	222 199	-	296 265	-	-
700 x 450	28 x 18	720 x 478 711 x 457	521	470	-	-	278 265	208 195	-	275 263	-	-
750 x 750	30 x 30	762 x 762	559	559	176	200	352	264	-	352	-	-
750 x 700	30 x 28	762 x 711	559	546	-	-	338	254	-	338	-	-
750 x 650	30 x 26	762 x 660	546	559	-	-	323	243	-	323	-	-
750 x 600	30 x 24	762 x 610	533	559	158	197	317	238	-	317	-	-
750 x 550	30 x 22	762 x 559	521	559	157	195	314	235	-	314	-	-
750 x 500	30 x 20	762 x 508	508	559	153	174	306	230	-	306	-	-
750 x 450	30 x 18	762 x 457	495	559	149	170	299	224	-	299	-	-
750 x 400	30 x 16	762 x 406.4	483	559	146	166	292	219	-	292	-	-
800 x 800	32 x 32	820 x 820 813 x 813	597	597	-	-	405 402	303 302	-	405 402	-	-
800 x 750	32 x 30	813 x 762	584	597	-	-	386	290	-	386	-	-
800 x 700	32 x 28	820 x 720 813 x 711	572	597	-	-	388 370	291 277	-	388 370	-	-
800 x 650	32 x 26	813 x 660	572	597	-	-	362	271	-	362	-	-
800 x 600	32 x 24	820 x 630 813 x 610	559	597	-	-	372 358	279 268	-	365 359	-	-
800 x 550	32 x 22	813 x 559	546	597	-	-	350	262	-	350	-	-
800 x 500	32 x 20	820 x 529 813 x 508	533	597	-	-	364 342	273 256	-	364 342	-	-
800 x 450	32 x 18	820 x 478 813 x 457	521	597	-	-	360 334	270 250	-	360 334	-	-
800 x 400	32 x 16	820 x 426 813 x 406.4	508	597	-	-	352 322	264 241	-	352 322	-	-
800 x 350	32 x 14	820 x 377 813 x 355.6	508	597	-	-	344 313	258 235	-	344 314	-	-
850 x 850	34 x 34	864 x 864	635	635	-	-	455	341	626	415	-	-
850 x 800	34 x 32	864 x 813	622	635	-	-	437	328	610	437	-	-
850 x 750	34 x 30	864 x 762	610	635	-	-	419	314	-	419	-	-
850 x 700	34 x 28	864 x 711	597	635	-	-	409	307	-	409	-	-
850 x 650	34 x 26	864 x 660	597	635	-	-	405	304	-	405	-	-
850 x 600	34 x 24	864 x 610	584	635	-	-	396	297	545	396	-	-
850 x 550	34 x 22	864 x 559	572	635	-	-	387	290	532	387	-	-
850 x 500	34 x 20	864 x 508	559	635	-	-	378	283	520	378	-	-
850 x 450	34 x 18	864 x 457	546	635	-	-	364	273	501	364	-	-
850 x 400	34 x 16	864 x 406.4	533	635	-	-	355	266	488	355	-	-
900 x 900	36 x 36	920 x 920 914 x 914	673	673	-	-	514 511	648 639	786 767	543 511	-	-
900 x 850	36 x 34	914 x 864	660	673	-	-	490	619	736	511	-	-
900 x 800	36 x 32	920 x 820 914 x 813	648	673	-	-	494 470	370 353	741 690	494 470	-	-
900 x 750	36 x 30	914 x 762	635	673	-	-	460	345	-	460	-	-
900 x 700	36 x 28	920 x 720 914 x 711	622	673	-	-	473 455	355 341	-	473 455	-	-
900 x 650	36 x 26	914 x 660	622	673	-	-	444	333	667	447	-	-
900 x 600	36 x 24	914 x 610	610	673	-	-	434	326	651	434	-	-
900 x 550	36 x 22	914 x 559	597	673	-	-	424	318	636	424	-	-
900 x 500	36 x 20	920 x 529 914 x 508	584	673	-	-	463 409	347 306	685 598	462 409	-	-
900 x 450	36 x 18	920 x 478 914 x 452	572	673	-	-	458 398	343 299	693 613	457 398	-	-



BUTTWELD PIPE FITTING

REDUCER (CONCENTRIC AND ECCENTRIC)

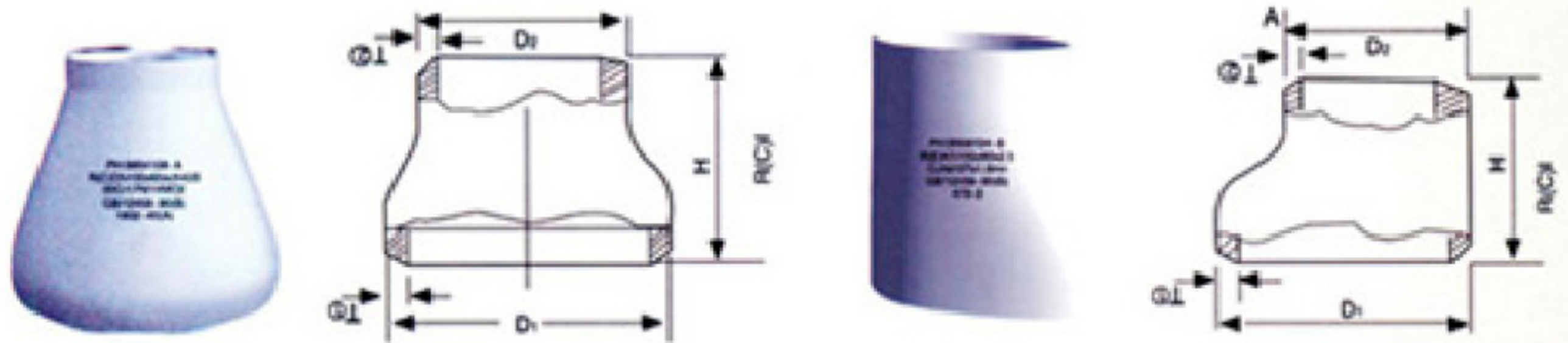


公称通径 Nominal diameter		外径mm Outside diameter	中心距至端面的距离 Center to end	理论重量kg/pcs Approx weight													
DN	INCH	D1 × D2	H	Sch5s	Sch10s	Sch20s	STD	Sch40	XS	Sch80	Sch120						
20 × 15	3/4 × 1/2	25 × 18 26.7 × 21.3	38	0.03 0.04	0.04 0.04	0.049 0.05	0.05 0.06	0.05 0.06	0.07 0.07	0.07 0.07	=						
25 × 20	1 × 3/4	32 × 25 33.4 × 26.7	51	0.06 0.06	0.09 0.10	0.11 0.11	0.11 0.11	0.11 0.11	0.14 0.15	0.14 0.15	=						
25 × 15	1 × 1/2	32 × 18 33.4 × 21.3	51	0.05 0.06	0.08 0.09	0.09 0.10	0.09 0.10	0.09 0.10	0.12 0.13	0.12 0.13	=						
32 × 25	1 1/4 × 1	38 × 32 42.2 × 33.4	51	0.07 0.08	0.11 0.12	0.125 0.137	0.14 0.15	0.14 0.15	0.18 0.20	0.18 0.20	=						
32 × 20	1 1/4 × 3/4	38 × 25 42.2 × 26.7	51	0.06 0.07	0.10 0.11	0.125 0.13	0.13 0.14	0.13 0.14	0.16 0.18	0.16 0.18	=						
32 × 15	1 1/4 × 1/2	38 × 18 42.2 × 21.3	51	0.06 0.07	0.09 0.11	0.1 0.125	0.11 0.13	0.11 0.13	0.14 0.17	0.14 0.17	=						
40 × 32	1 1/2 × 1 1/4	45 × 38 48.3 × 33.4	64	0.11 0.11	0.17 0.19	0.19 0.22	0.22 0.24	0.22 0.24	0.29 0.32	0.29 0.32	=						
40 × 25	1 1/2 × 1	45 × 32 48.3 × 33.4	64	0.10 0.10	0.16 0.17	0.18 0.20	0.20 0.22	0.20 0.22	0.27 0.29	0.27 0.29	=						
40 × 20	1 1/2 × 3/4	45 × 25 48.3 × 26.7	64	0.09 0.10	0.15 0.16	0.1 -	0.18 0.20	0.18 0.20	0.24 0.26	0.24 0.26	=						
40 × 15	1 1/2 × 1/2	45 × 18 48.3 × 21.3	64	0.08 0.09	0.13 0.15	0.15 0.17	0.16 0.19	0.16 0.19	0.21 0.24	0.21 0.24	=						
50 × 40	2 × 1 1/2	57 × 45 60.3 × 48.3	76	0.16 0.17	0.26 0.27	0.33 0.36	0.35 0.37	0.35 0.37	0.47 0.51	0.47 0.51	=						
50 × 32	2 × 1 1/4	57 × 38 60.3 × 42.2	76	0.15 0.16	0.24 0.26	0.30 0.33	0.32 0.35	0.32 0.35	0.44 0.48	0.44 0.48	=						
50 × 25	2 × 1	57 × 32 60.3 × 33.4	76	0.14 0.14	0.22 0.24	0.27 0.30	0.30 0.32	0.30 0.32	0.41 0.44	0.41 0.44	=						
65 × 50	2 1/2 × 2	76 × 57 73.0 × 60.3	89	0.30 0.30	0.43 0.43	0.52 0.53	0.70 0.70	0.70 0.70	0.92 0.92	0.92 0.92	=						
65 × 40	2 1/2 × 1 1/2	76 × 45 73.0 × 48.3	89	0.28 0.28	0.40 0.40	0.5 0.5	0.64 0.63	0.64 0.63	0.84 0.83	0.84 0.83	=						
65 × 32	2 1/2 × 1 1/4	76 × 38 73.0 × 42.2	89	0.26 0.27	0.38 0.38	0.45 0.45	0.60 0.60	0.60 0.60	0.79 0.79	0.79 0.79	=						
65 × 25	2 1/2 × 1	76 × 32 73.0 × 33.4	89	0.25 0.25	0.36 0.36	0.4 0.4	0.57 0.56	0.57 0.56	0.75 0.73	0.75 0.73	=						
80 × 65	3 × 2 1/2	89 × 76 88.9 × 73.0	89	0.38 0.37	0.54 0.53	0.72 0.7	0.93 0.91	0.93 0.91	1.26 1.23	1.26 1.23	=						
80 × 50	3 × 2	89 × 57 88.9 × 60.3	89	0.34 0.35	0.48 0.49	0.64 0.65	0.83 0.84	0.83 0.84	1.11 1.13	1.11 1.13	=						
80 × 40	3 × 1 1/2	89 × 45 88.9 × 48.3	89	0.31 0.32	0.45 0.45	0.6 0.6	0.76 0.78	0.76 0.78	1.02 1.05	1.02 1.05	=						
90 × 80	3 1/2 × 3	101.6 × 88.9	102	0.50	0.72	1.09	1.29	1.77	1.77	=	=						
90 × 65	3 1/2 × 2 1/2	101.6 × 73.0	102	0.46	0.66	1.0	1.12	1.12	1.63	1.63	=						
90 × 50	3 1/2 × 2	101.6 × 60.3	102	0.43	0.62	0.96	1.10	1.10	1.51	1.51	=						
90 × 40	3 1/2 × 1 1/2	101.6 × 48.3	102	0.41	0.58	-	1.03	1.03	1.40	1.40	=						
100 × 90	4 × 3 1/2	114.3 × 101.6	102	0.57	0.82	-	1.55	1.55	2.41	2.41	2.38						
100 × 80	4 × 3	108 × 89 114.3 × 88.9	102	0.52 0.54	0.75 0.77	-	1.41 1.46	1.41 1.46	1.94 2.02	1.94 2.02	2.18 2.24						
100 × 65	4 × 2 1/2	108 × 76 114.3 × 73.0	102	0.49 0.50	0.70 0.72	0.93 0.96	1.32 1.35	1.32 1.35	1.82 1.87	1.82 1.87	2.05 2.1						
100 × 50	4 × 2	108 × 57 114.3 × 60.3	102	0.44 0.48	0.64 0.68	0.85 0.90	1.19 1.27	1.19 1.27	1.64 1.75	1.64 1.75	1.87 1.98						
125 × 100	5 × 4	133 × 108 141.3 × 114.3	127	1.04 1.11	1.27 1.35	1.89 2.01	2.35 2.50	2.35 2.50	3.33 3.55	3.33 3.55	4.31 4.60						
125 × 90	5 × 3 1/2	141.3 × 101.6	127	1.06	1.29	1.92	2.38	2.38	3.38	3.38	4.4						
125 × 80	5 × 3	133 × 89 141.3 × 88.9	127	0.97 1.01	1.18 1.23	1.76 1.83	2.17 2.27	2.17 2.27	3.07 3.22	3.07 3.22	4.0 4.19						
125 × 65	5 × 3 1/2	133 × 76 141.3 × 73.0	127	0.92 0.96	1.12 1.16	1.67 1.72	2.06 2.14	2.06 2.14	2.91 3.02	2.91 3.02	3.8 3.98						
150 × 125	6 × 5	159 × 133 168.3 × 141.3	140	1.40 1.48	1.71 1.81	2.54 2.67	3.42 3.64	3.42 3.64	5.14 5.47	5.14 5.47	6.52 6.95						
150 × 100	6 × 4	159 × 108 168.3 × 141.3	140	1.29 1.37	1.58 1.67	2.35 2.48	3.15 3.38	3.15 3.38	4.72 5.03	4.72 5.03	5.97 6.38						
150 × 90	6 × 3 1/2	168.3 × 101.6	140	1.32	1.61	2.39	3.23	3.23	4.83	4.83	6.08						
150 × 80	6 × 3	159 × 89 168.3 × 88.9	140	1.21 1.26	1.48 1.53	2.20 2.27	2.96 3.07	2.96 3.07	4.41 4.58	4.41 4.58	5.64 5.85						
200 × 150	8 × 6	219 × 159 219.1 × 168.3	152	2.00 2.04	2.70 2.75	4.30 4.38	5.65 5.77	5.65 5.77	8.55 8.73	8.55 8.73	11.9 12.2						
200 × 125	8 × 5	219 × 133 219.1 × 141.3	152	1.90 1.93	2.56 2.60	4.07 4.14	5.35 5.44	5.35 5.44	8.09 8.23	8.09 8.23	11.2 11.4						
200 × 100	8 × 4	219 × 108 219.1 × 114.3	152	1.80 1.83	2.43 2.46	3.86 3.92	5.07 5.14	5.07 5.14	7.64 7.75	7.64 7.75	10.6 10.7						
250 × 200	10 × 8	273 × 219	178	3.72	4.56	6.75	9.74	15.5	15.5	15.5	21.4						
250 × 150	10 × 6	273 × 159 273.1 × 168.3	178	3.38 3.43	4.15 4.21	6.59 6.69	8.83 8.96	14.0 14.2	14.0 14.2	14.0 14.2	19.2 19.5						
250 × 125	10 × 5	273 × 133 273.1 × 141.3	178	3.25 3.29	3.99 4.04	6.34 6.42	8.47 8.59	13.4 13.6	13.4 13.6	13.4 13.6	18.4 18.6						



BUTTWELD PIPE FITTING

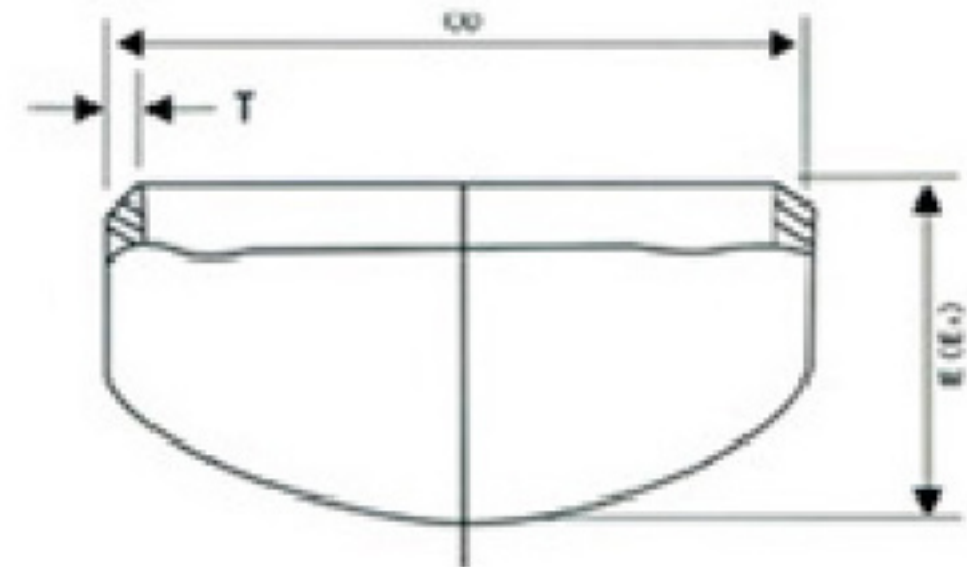
REDUCER (CONCENTRIC AND ECCENTRIC)



公称通径 Nominal diameter		外径mm Outside diameter	中心距至端面的距离 Center to end	理论重量kg/pcs Approx weight													
DN	INCH	D1 × D2	H	Sch5s	Sch10s	Sch20s	STD	Sch40	XS	Sch80	Sch120						
20 × 15	3/4 × 1/2	25 × 18 26.7 × 21.3	38	0.03 0.04	0.04 0.04	0.049 0.05	0.05 0.06	0.05 0.06	0.07 0.07	0.07 0.07	-						
25 × 20	1 × 3/4	32 × 25 33.4 × 26.7	51	0.06 0.06	0.09 0.10	0.11 0.11	0.11 0.11	0.11 0.11	0.14 0.15	0.14 0.15	-						
25 × 15	1 × 1/2	32 × 18 33.4 × 21.3	51	0.05 0.06	0.08 0.09	0.09 0.10	0.09 0.10	0.09 0.10	0.12 0.13	0.12 0.13	-						
32 × 25	1 1/4 × 1	38 × 32 42.2 × 33.4	51	0.07 0.08	0.11 0.12	0.125 0.137	0.14 0.15	0.14 0.15	0.18 0.20	0.18 0.20	-						
32 × 20	1 1/4 × 3/4	38 × 25 42.2 × 26.7	51	0.06 0.07	0.10 0.11	0.125 0.13	0.13 0.14	0.13 0.14	0.16 0.18	0.16 0.18	-						
32 × 15	1 1/4 × 1/2	38 × 18 42.2 × 21.3	51	0.06 0.07	0.09 0.11	0.1 0.125	0.11 0.13	0.11 0.13	0.14 0.17	0.14 0.17	-						
40 × 32	1 1/2 × 1 1/4	45 × 38 48.3 × 33.4	64	0.11 0.11	0.17 0.19	0.19 0.22	0.22 0.24	0.22 0.24	0.29 0.32	0.29 0.32	-						
40 × 25	1 1/2 × 1	45 × 32 48.3 × 33.4	64	0.10 0.10	0.16 0.17	0.18 0.20	0.20 0.22	0.20 0.22	0.27 0.29	0.27 0.29	-						
40 × 20	1 1/2 × 3/4	45 × 25 48.3 × 26.7	64	0.09 0.10	0.15 0.16	0.1 -	0.18 0.20	0.18 0.20	0.24 0.26	0.24 0.26	-						
40 × 15	1 1/2 × 1/2	45 × 18 48.3 × 21.3	64	0.08 0.09	0.13 0.15	0.15 0.17	0.16 0.19	0.16 0.19	0.21 0.24	0.21 0.24	-						
50 × 40	2 × 1 1/2	57 × 45 60.3 × 48.3	76	0.16 0.17	0.26 0.27	0.33 0.36	0.35 0.37	0.35 0.37	0.47 0.51	0.47 0.51	-						
50 × 32	2 × 1 1/4	57 × 38 60.3 × 42.2	76	0.15 0.16	0.24 0.26	0.30 0.33	0.32 0.35	0.32 0.35	0.44 0.48	0.44 0.48	-						
50 × 25	2 × 1	57 × 32 60.3 × 33.4	76	0.14 0.14	0.22 0.24	0.27 0.30	0.30 0.32	0.30 0.32	0.41 0.44	0.41 0.44	-						
65 × 50	2 1/2 × 2	76 × 57 73.0 × 60.3	89	0.30 0.30	0.43 0.43	0.52 0.53	0.70 0.70	0.70 0.70	0.92 0.92	0.92 0.92	-						
65 × 40	2 1/2 × 1 1/2	76 × 45 73.0 × 48.3	89	0.28 0.28	0.40 0.40	0.5 0.5	0.64 0.63	0.64 0.63	0.84 0.83	0.84 0.83	-						
65 × 32	2 1/2 × 1 1/4	76 × 38 73.0 × 42.2	89	0.26 0.27	0.38 0.38	0.45 0.45	0.60 0.60	0.60 0.60	0.79 0.79	0.79 0.79	-						
65 × 25	2 1/2 × 1	76 × 32 73.0 × 33.4	89	0.25 0.25	0.36 0.36	0.4 0.4	0.57 0.56	0.57 0.56	0.75 0.73	0.75 0.73	-						
80 × 65	3 × 2 1/2	89 × 76 88.9 × 73.0	89	0.38 0.37	0.54 0.53	0.72 0.7	0.93 0.91	0.93 0.91	1.26 1.23	1.26 1.23	-						
80 × 50	3 × 2	89 × 57 88.9 × 60.3	89	0.34 0.35	0.48 0.49	0.64 0.65	0.83 0.84	0.83 0.84	1.11 1.13	1.11 1.13	-						
80 × 40	3 × 1 1/2	89 × 45 88.9 × 48.3	89	0.31 0.32	0.45 0.45	0.6 0.6	0.76 0.78	0.76 0.78	1.02 1.05	1.02 1.05	-						
90 × 80	3 1/2 × 3	101.6 × 88.9	102	0.50	0.72	1.09	1.29	1.77	1.77	-	-						
90 × 65	3 1/2 × 2 1/2	101.6 × 73.0	102	0.46	0.66	1.0	1.12	1.12	1.63	1.63	-						
90 × 50	3 1/2 × 2	101.6 × 60.3	102	0.43	0.62	0.96	1.10	1.10	1.51	1.51	-						
90 × 40	3 1/2 × 1 1/2	101.6 × 48.3	102	0.41	0.58	-	1.03	1.03	1.40	1.40	-						
100 × 90	4 × 3 1/2	114.3 × 101.6	102	0.57	0.82	-	1.55	1.55	2.41	2.41	2.38						
100 × 80	4 × 3	108 × 89 114.3 × 88.9	102	0.52 0.54	0.75 0.77	-	1.41 1.46	1.41 1.46	1.94 2.02	1.94 2.02	2.18 2.24						
100 × 65	4 × 2 1/2	108 × 76 114.3 × 73.0	102	0.49 0.50	0.70 0.72	0.93 0.96	1.32 1.35	1.32 1.35	1.82 1.87	1.82 1.87	2.05 2.1						
100 × 50	4 × 2	108 × 57 114.3 × 60.3	102	0.44 0.48	0.64 0.68	0.85 0.90	1.19 1.27	1.19 1.27	1.64 1.75	1.64 1.75	1.87 1.98						
125 × 100	5 × 4	133 × 108 141.3 × 114.3	127	1.04 1.11	1.27 1.36	1.89 2.01	2.35 2.50	2.35 2.50	3.33 3.55	3.33 3.55	4.31 4.60						
125 × 90	5 × 3 1/2	141.3 × 101.6	127	1.06	1.29	1.92	2.38	2.38	3.38	3.38	4.4						
125 × 80	5 × 3	133 × 89 141.3 × 88.9	127	0.97 1.01	1.18 1.23	1.76 1.83	2.17 2.27	2.17 2.27	3.07 3.22	3.07 3.22	4.0 4.19						
125 × 65	5 × 3 1/2	133 × 76 141.3 × 73.0	127	0.92 0.96	1.12 1.16	1.67 1.72	2.06 2.14	2.06 2.14	2.91 3.02	2.91 3.02	3.8 3.98						
150 × 125	6 × 5	159 × 133 168.3 × 141.3	140	1.40 1.48	1.71 1.81	2.54 2.67	3.42 3.64	3.42 3.64	5.14 5.47	5.14 5.47	6.52 6.95						
150 × 100	6 × 4	159 × 108 168.3 × 141.3	140	1.29 1.37	1.58 1.67	2.35 2.48	3.15 3.38	3.15 3.36	4.72 5.03	4.72 5.03	5.97 6.38						
150 × 90	6 × 3 1/2	168.3 × 101.6	140	1.32	1.61	2.39	3.23	3.23	4.83	4.83	6.08						
150 × 80	6 × 3	159 × 89 168.3 × 88.9	140	1.21 1.26	1.48 1.53	2.20 2.27	2.96 3.07	2.96 3.07	4.41 4.58	4.41 4.58	5.64 5.85						
200 × 150	8 × 6	219 × 159 219.1 × 168.3	152	2.00 2.04	2.70 2.75	4.30 4.38	5.65 5.77	5.65 5.77	8.55 8.73	8.55 8.73	11.9 12.2						
200 × 125	8 × 5	219 × 133 219.1 × 141.3	152	1.90 1.93	2.56 2.60	4.07 4.14	5.35 5.44	5.35 5.44	8.09 8.23	8.09 8.23	11.2 11.4						
200 × 100	8 × 4	219 × 108 219.1 × 114.3	152	1.80 1.83	2.43 2.46	3.86 3.92	5.07 5.14	5.07 5.44	7.64 7.75	7.64 7.75	10.6 10.7						
250 × 200	10 × 8	273 × 219	178	3.72	4.56	6.75	9.74	15.5	15.5	15.5	21.4						
250 × 150	10 × 6	273 × 159 273.1 × 168.3	178	3.38 3.43	4.15 4.21	6.59 6.69	8.83 8.96	14.0 14.2	14.0 14.2	14.0 14.2	19.2 19.5						
250 × 125	10 × 5	273 × 133 273.1 × 141.3	178	3.25 3.29	3.99 4.04	6.34 6.42	8.47 8.59	13.4 13.6	13.4 13.6	13.4 13.6	18.4 18.6						

BUTTWELD PIPE FITTING

CAP



公称通径 Nominal diameter		外径mm Outside diameter	背面距至端面的 距离 back to end		理论重量kg/pcs Approx weight									
DN	INCH	OD	E	E ₁	Sch5s	Sch10s	Sch20s	Sch20s	STD	Sch40	XS	Sch80	Sch120	
15	1/2	18 21.3	25	-	0.019 0.022	0.024 0.028	0.027 0.033	-	0.031 0.037	0.031 0.037	0.042 0.050	0.042 0.050	0.057 0.063	
20	3/4	25 26.7	25	-	0.027 0.029	0.033 0.035	0.038 0.041	-	0.045 0.048	0.045 0.048	0.060 0.065	0.060 0.065	0.079 0.086	
25	1	32 33.7	38	-	0.049 0.052	0.063 0.67	0.091 0.093	-	0.101 0.106	0.101 0.106	0.136 0.143	0.136 0.143	0.176 0.182	
32	1.1/4	38 42.4	38	-	0.058 0.055	0.099 0.110	0.111 0.125	-	0.126 0.141	0.126 0.141	0.173 0.190	0.173 0.190	0.213 0.237	
40	1.1/2	45 48.3	38	-	0.071 0.076	0.118 0.127	0.138 0.148	-	0.158 0.169	0.158 0.169	0.218 0.234	0.218 0.234	0.294 0.323	
50	2	57 60.3	38	44	0.094 0.099	0.156 0.165	0.189 0.200	-	0.221 0.234	0.221 0.234	0.313 0.331	0.313 0.331	0.378 0.426	
65	2.1/2	76 73.0	38	51	0.167 0.161	0.241 0.232	0.391 0.312	-	0.409 0.393	0.409 0.393	0.555 0.534	0.555 0.534	0.676 0.634	
80	3	89	51	64	0.254	0.367	0.490	-	0.660	0.660	0.917	0.917	1.469	
90	3.1/2	101.6	64	76	0.355	0.512	0.739	-	0.965	0.965	1.36	1.36	1.891	
100	4	108 114.3	64	76	0.387 0.410	0.561 0.594	0.810 0.882	-	1.11 1.17	1.11 1.17	1.58 1.67	1.58 1.67	2.04 2.16	
125	5	133 139.7 141.3	76	89	0.769 0.808 0.817	0.945 0.993 1.00	1.339 1.421 1.473	-	1.82 1.91 1.93	1.82 1.91 1.93	2.65 2.78 2.81	2.65 2.78 2.81	3.52 3.70 3.74	
150	6	159 168.3 165.2	89	102	1.07 1.13 1.11	1.31 1.39 1.36	1.843 2.00 1.97	-	2.74 2.90 2.85	2.74 2.90 2.85	4.22 4.47 4.39	4.22 4.47 4.39	5.50 5.82 5.72	
200	8	219 216.1	102	127	1.76 1.74	2.36 2.35	4.03 3.98	4.03 3.98	5.19 5.13	5.19 5.13	8.05 7.95	8.05 7.95	11.6 11.5	
250	10	273 267.4	127	152	3.36 3.29	4.14 4.05	6.27 6.14	6.27 6.14	9.15 8.96	9.15 8.96	12.5 12.2	16.8 16.4	23.9 23.4	

公称通径 Nominal diameter		外径mm Outside diameter	背面距至端面的 距离 back to end		理论重量kg/pcs Approx weight									
DN	INCH	OD	E	E ₁	Sch5s	Sch10s	Sch20s	Sch20s	STD	Sch40	XS	Sch80	Sch120	
300	12	325 323.9 318.5	152	178	5.12 5.11 5.02	6.40 6.39 6.27	9.90 9.43 9.40	13.5 13.3 13.2	14.6 14.4 14.2	14.6 14.4 14.2	17.9 17.7 17.3	28.3 27.1 26.8	94.0 91.0 90.5	
350	14	377 355.6	165	191	6.00 5.66	8.46 7.98	14.0 13.2	16.9 15.9	19.8 18.8	19.8 18.8	22.5 21.2	38.5 35.2	105 99.0	
400	16	426 406.4	178	203	6.93 6.60	7.91 7.53	17.4 12.5	21.0 20.0	28.2 26.7	28.2 26.7	28.0 26.7	52.0 49.1	116 111	
450	18	478 457.2	203	229	7.90 7.52	9.01 8.58	22.3 21.2	26.9 25.6	43.8 41.4	43.8 41.4	35.8 34.1	76.1 69.1	131 125	
500	20	529 508.0	229	254	10.5 10.1	12.02 11.7	33.2 31.9	33.2 31.9	57.6 54.0	57.6 54.0	44.2 42.5	103 93.7	141 136	
550	22	559	254	-	12.1	22.6	38.8	38.8	78.3	78.3	51.7	116	168	
600	24	630 610	267	305	14.8 14.3	16.9 16.4	47.4 45.1	46.5 45.1	92.3 90.1	92.3 90.1	61.9 60.1	177 160	172 164	
650	26	660	267	-	23.3	26.1	67.3	50.5	103.5	103.5	67.3	-	-	
700	28	720 711	267	-	27.1 38.7	32.4 49.7	75.9 94.9	56.9 56.2	151.1 121.3	151.1 121.3	75.6 74.9	-	-	
750	30	762	267	-	41.4	51.7	82.8	62.1	117.3	117.3	82.8	-	-	
800	32	820 813	267	-	43.4 43.1	58.3 57.7	92.0 91.2	70.6 70.0	127 126	127 126	92.0 91.2	-	-	
850	34	864	267	-	57.2	68.5	105	78.7	144	144	105	-	-	
900	36	920 914	267	-	60.3 59.1	74.6 72.1	115 114	86.3 85.7	172 171	172 171	115 114	-	-	

BUTTWELD PIPE FITTING

对焊管件尺寸的极限偏差

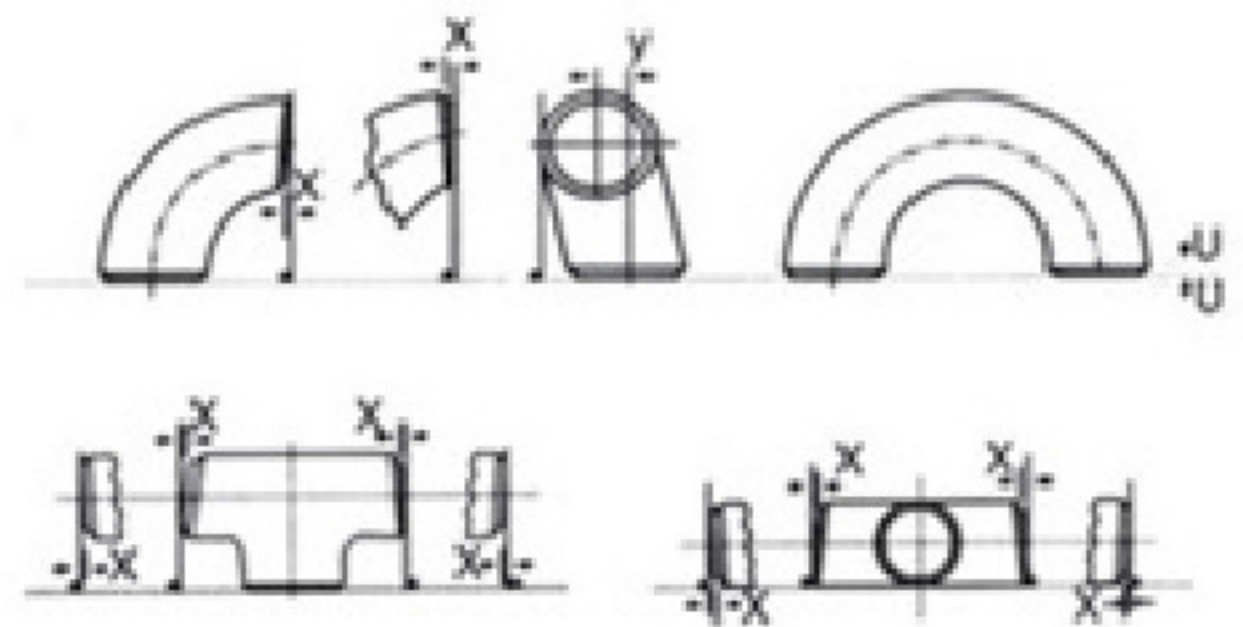
GB 12459、GB/T 13401

项目	管件种类	公称直径						
		15-65	80-100	125-200	250-450	500-600	650-750	800-1200
极限偏差								
端部外径 D_1, D_2, D_3	所有管件	+1.6 -0.8	± 1.6	+2.4 -1.6	+4.0 -3.2	+6.4 -4.8		
端部内径 d_1		+0.8	± 1.6	± 3.2		± 4.38		
壁厚 T_1, T_2		不小于公称壁厚的87.5%						
中心至中心 H, F	45°、90° 弯头、	± 2			± 3			
中心至中心 P	180° 弯头	± 7			± 10	… ± 5		
背面至端面 K		± 7			…			
长度 L	异径管	± 2			± 3			
中心至端面 C, M	三通、四通	± 2			± 3			
全长 E, E_1	管帽	± 4	± 7			± 10		
端部最大最小外径差 $''$	所有管件	…			不大于0.01DN,且不大于T			

对焊管件的形位公差

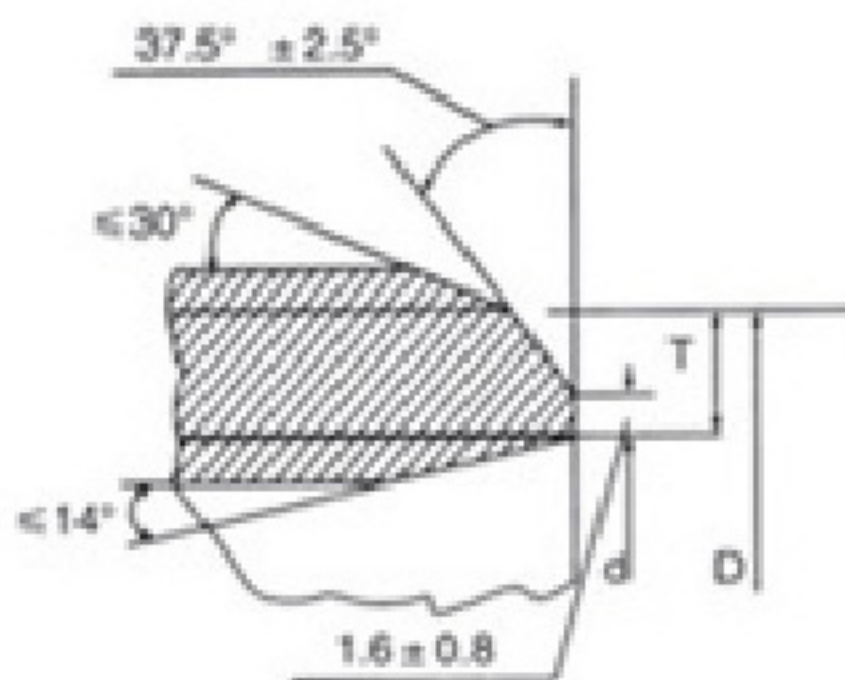
GB 12459、GB/T 13401

公称直径	弯头、三通、四通、异径管	弯头、三通、四通	180° 弯头
	X	Y	
15-100	1	2	1
125-200	2	3	
250-300	3	5	2
350-400		7	
450-600	4	10	…
650-750	5	13	
80-1050		19	

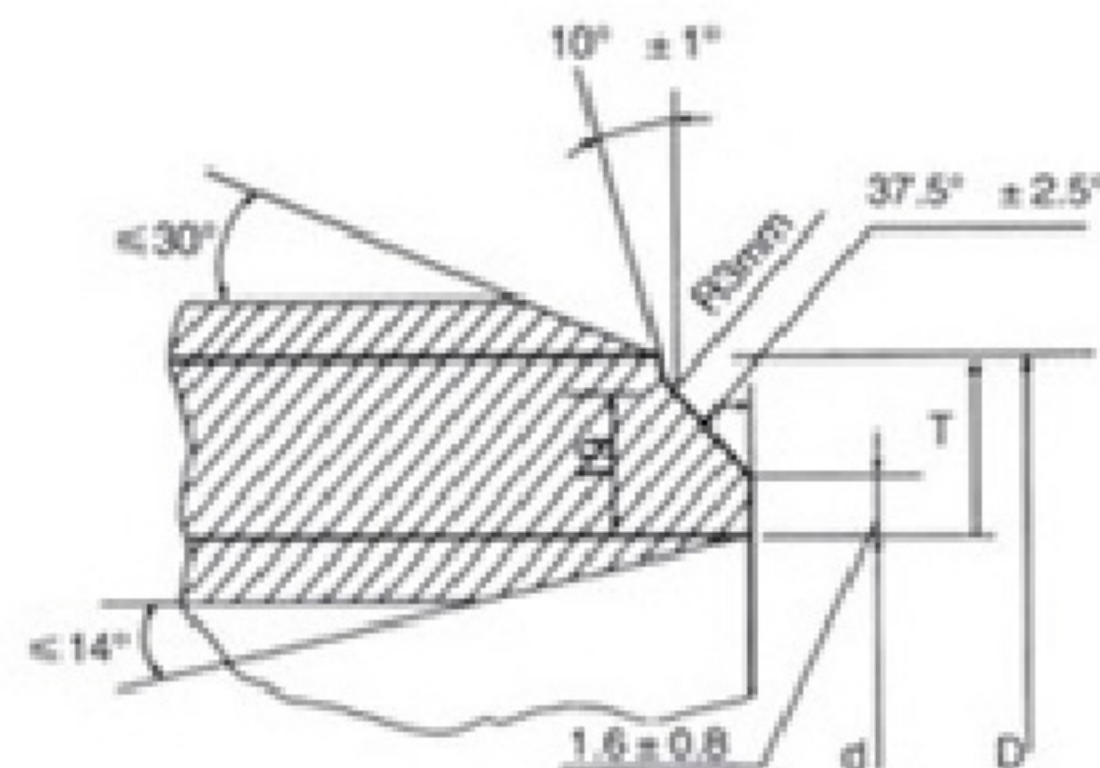


对焊管件焊端坡口的结构形式

GB 12459、GB/T 13401



(a) 壁厚 < 22



(b) 壁厚 ≥ 22

BUTTWELD PIPE FITTING

对焊管件尺寸的极限偏差

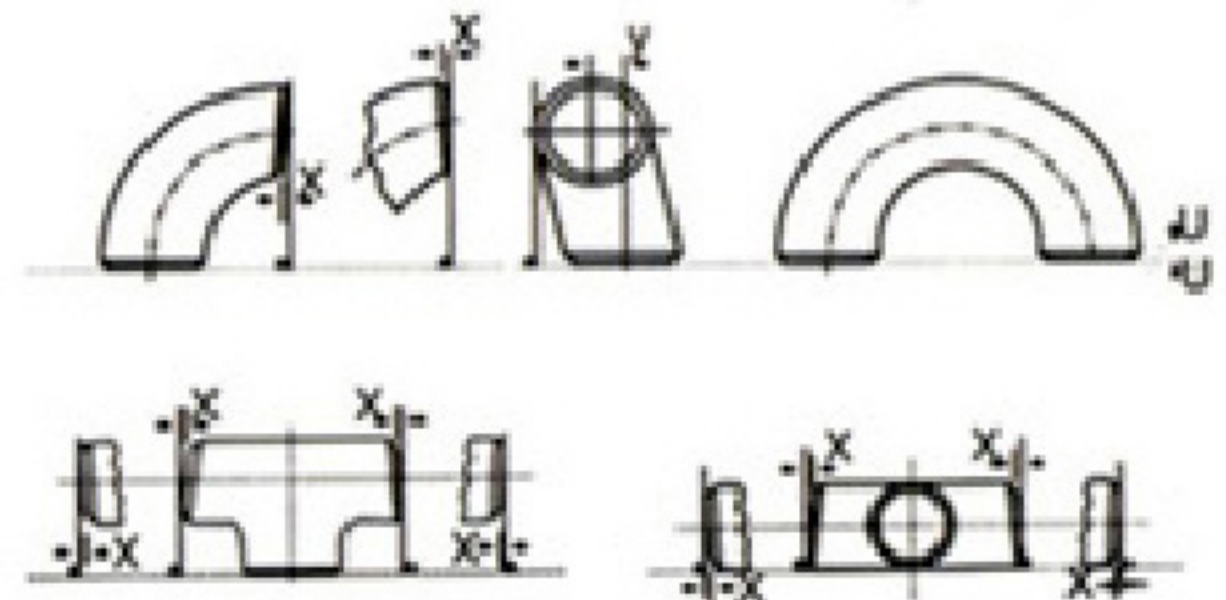
ASME/ANSI B16.9、B16.9、B16.28及MSS SP-43

项目	管件种类	公称通径							
		1/2-2	3-3	4	5-8	10-18	20-24	26-30	32-48
		极限偏差							
端部外径 D_1 、 D_2 、 D_3	所有种类	+1.52 -0.76	±1.52			+2.29 -1.52	+1.06 -3.06	+6.35 -4.83	
端部内径 d_1		+0.76	±1.52			±3.35		±4.38	
壁厚 T_1 、 T_2	不小于公称壁厚的87.5%								
中心至端面 H 、 F 、 C 、 M	45°、90° 弯头、 三通、四通	±1.52			±2.29		±3.05	±4.38	
中心至中心 P	180° 弯头	±6.35			±9.65		---		
背面至端面 K		±6.35			---		---		
U		±0.76			±1.52		---		
长度 L	异径管 翻边短接	±1.52			±2.29		±4.83		
全长 E 、 E_1	管帽	---			±6.35		±9.65		
端接直径 G	翻边短接	0 -0.76			0 -1.52		---		
端接厚度 t 圆角半径 R		0 -0.76			±1.52 0		0 -1.52		

对焊管件的形位公差

ASME/ANSI B16.9、B16.28 及MSS SP-43

公称通径	弯头、三通、四通	
	X	Y
1/2-4	0.76	1.52
5-8	1.52	3.05
10-12	2.29	4.83
14-16	2.29	6.35
18-24	3.05	9.65
26-30	4.83	9.65
32-42		12.7
44-48		19.05



对焊管件焊端坡口的结构形式

ASME/ANSI B16.9、B16.28

